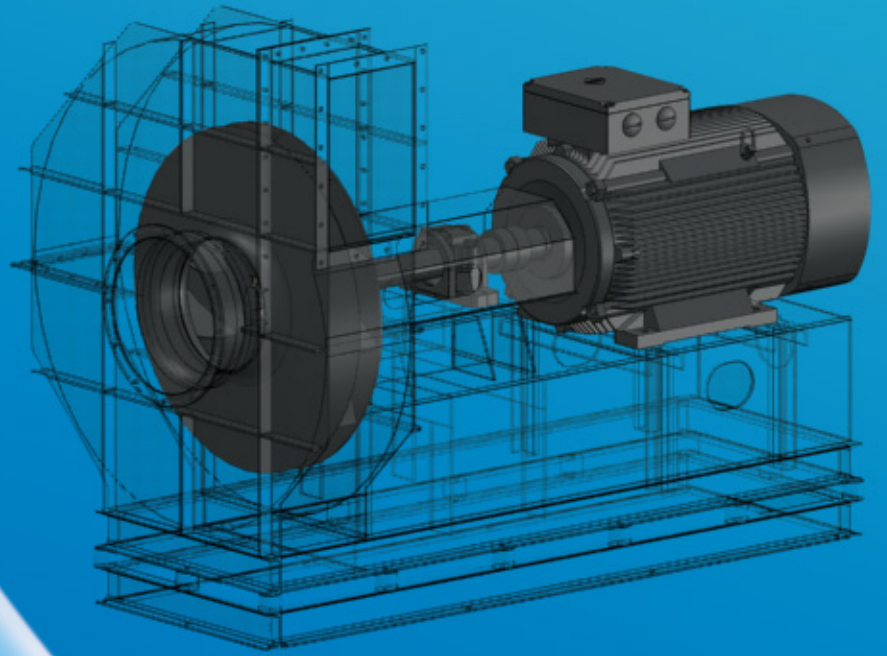




İNCİRCİOĞLU

VANTİLATÖR, KLİMA İMALAT, TURİZM SAN. VE TİC. LTD. ŞTİ.



## SERIES KPA

**Air Volume**  
1500-250.000 m<sup>3</sup>/h

**Pressure**  
50-600 daPa

- Average and high pressure ventilators
- Different drives can be produced (direct drive, belt drive, coupling drive, etc.)
- Backward curved blades

**Used for**

Aspiration of extremely dusty air and material transport (shavings, sawdust, granulated materials, etc.) and where high pressure air needed.



- Low and average pressure ventilators
- Different drives can be produced (direct drive, belt drive, coupling drive, etc.)
- Backward curved blades

**Used for**

Aspiration of clean, dusty and greasy air.

## SERIES BAA

**Air Volume**  
200-200.000 m<sup>3</sup>/h

**Pressure**  
10-300 daPa

## SERIES BAS

**Air Volume**  
500-100.000 m<sup>3</sup>/h

**Pressure**  
10-250 daPa

- Low pressure ventilators
- Different drives can be produced (direct drive, belt drive, coupling drive, etc.)
- Forward curved blades

**Used for**

Aspiration of clean and slightly dusty air.



## SERIES KPH

**Air Volume**  
500-150.000 m<sup>3</sup>/h

**Pressure**  
100-2000 daPa

- Average and high pressure ventilators
- Different drives can be produced (direct drive, belt drive, coupling drive, etc.)
- Backward curved blades

**Used for**

Aspiration of extremely dusty air and material transport (shavings, sawdust, granulated materials, etc.) and where high pressure air needed.



## SERIES BYK

**Air Volume**  
100-20.000 m<sup>3</sup>/h

**Pressure**  
100-1600 daPa

- High pressure ventilators
- Different drives can be produced (direct drive, belt drive, coupling drive, etc.)

**Used for**

Places where high pressure air needed.



## SERIES OBA

**Air Volume**  
500-40000 m<sup>3</sup>/h

**Pressure**  
50-500 daPa

- Average pressure ventilators
- Different drives can be produced (direct drive, belt drive, coupling drive, etc.)
- Backward curved blades

**Used for**

Aspiration of dusty, greasy air and transportation of thin granule material.



## SERIES BOR

**Air Volume**  
300-10000 m<sup>3</sup>/h

**Pressure**  
80-600 daPa

- Average pressure ventilators
- Different drives can be produced (direct drive, belt drive, coupling drive, etc.)

**Used for**  
Places where average pressure air needed and transportation of thin granule material.



- Average and high pressure ventilators
- Direct drive
- Forward curved blades

**Used for**  
Clean and dusty air ventilation and for burners.



## SERIES ALYB TYPE ALUMINIUM VENTILATORS

**Air Volume**  
100-6.000 m<sup>3</sup>/h

**Pressure**  
50-500 daPa

## SERIES AL TYPE ALUMINIUM VENTILATORS

**Air Volume**  
500-4000 m<sup>3</sup>/h

**Pressure**  
20-150 daPa

- Low and average pressure ventilators
- Direct drive
- Forward curved blades

**Used for**  
Clean air ventilation and for burners.



## AXIAL VENTILATORS

**Air Volume**  
500-200.000 m<sup>3</sup>/h

**Pressure**  
5-150 daPa



Different drives and different type of blades can be used.

**Used for**  
Air ventilation low and high volume flow.

## SERIES CTP ROOF TYPE

**Air Volume**  
100-30.000 m<sup>3</sup>/h

**Pressure**  
10-120 daPa

- Low pressure ventilators
- Direct drive
- Backward curved blades

**Used for**  
Air aspiration, assembled on roof or on top of chimneys.



## SERIES KTP DUCT TYPE

**Air Volume**  
100-14.000 m<sup>3</sup>/h

**Pressure**  
10-90 daPa



- Direct drive
- Backward curved blades
- Easy assembly

**Used for**  
Booster fan and for general air ventilation.

## CELLULAR FAN SECTION

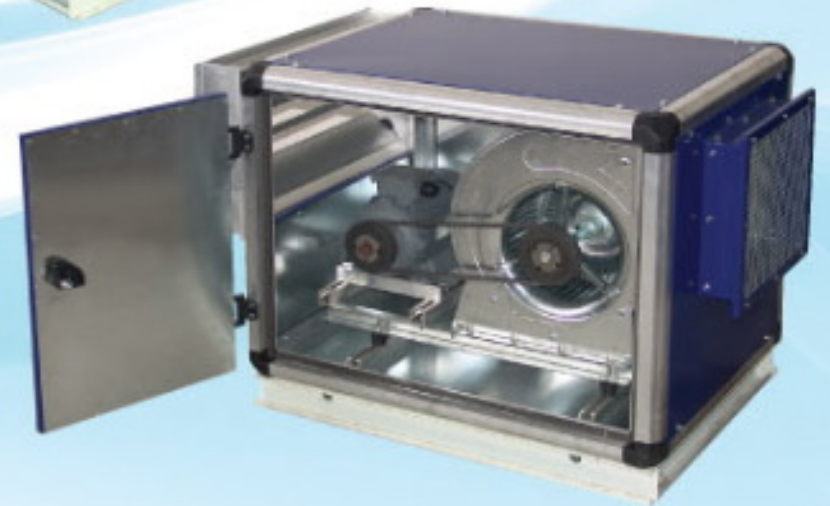
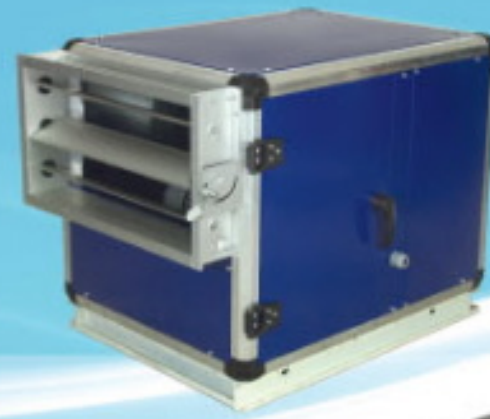
**Air Volume**  
500-150.000 m<sup>3</sup>/h

**Pressure**  
10-300 daPa

Forward curved or backward curved blades can be used. Completely demountable, single wall and sandwich type aluminum profile can be produced. Noise levels are extremely low.

### Used for

Air aspirations for industry (textile, chemical, medicine, etc.) and comfort facilities (movie theaters, hotels, hospitals, restaurants, schools, office etc.).



### Used for

Ventilating, heating, cooling in industry (textile, chemical, medicine, etc.) and comfort facilities (movie theaters, hotels, hospitals, restaurants, schools, office etc.).

These units are produced in accordance with place of usage and demand. Forward curved or backward curved blades and heat/noise insulation can be used according to demand:

Aspirator (suction) unit / Mixer unit / Filter unit / Exhaust unit / First cooler unit / First heater unit / Humidifier unit / Cooler unit / Heater unit / Ventilator unit

## AHU (AIR HANDLING UNIT)

**Air Volume**  
500-150.000 m<sup>3</sup>/h

**Pressure**  
10-250 daPa

## STANDARD TYPE DUST COLLECTORS

**Air Volume**  
500-6.000 m<sup>3</sup>/h

**Pressure**  
50-300 daPa

### Used for

Collecting and storing any kind of dust, timber shavings, granular plastic, timber dust and sand paper dust etc. in its reservoir. It recycles clean and dust free air back to the environment by the assistance of its filter. Special dust collectors can be produced depending on place of usage alongside with standardized machines.



## STANDARD TYPE CYCLONES

**Air Volume**  
500-10.000 m<sup>3</sup>/h

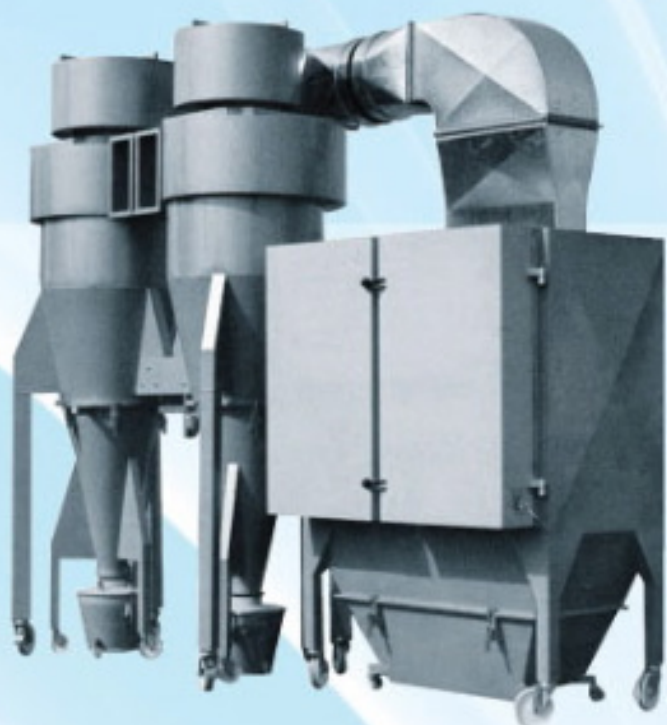
**Pressure**  
50-500 daPa

Collects and stores any kind of dust, timber shavings, granular plastic, timber dust and sand paper dust etc. in its reservoir. It recycles clean and dust free air back to the environment by the assistance of its filter.



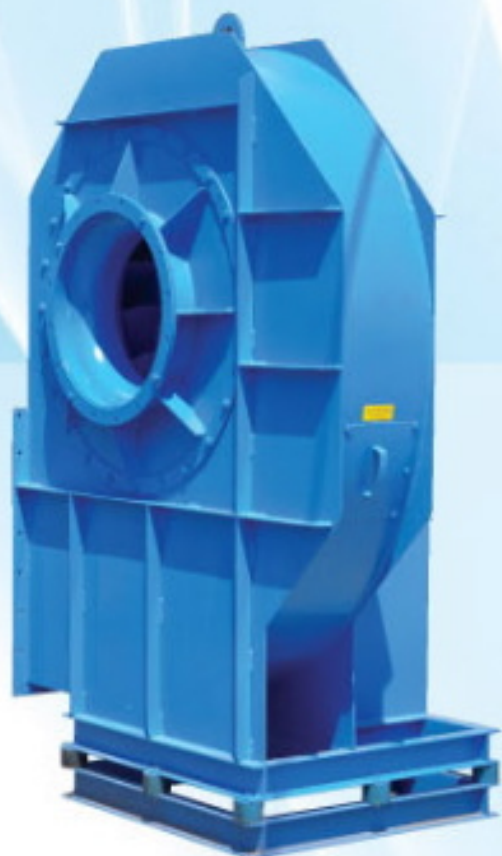
## CUSTOM DESIGNED CYCLONES AND FILTER UNITS

Customized single or group cyclones, mechanic filters and jet pulse filters which are suitable for any kind of material can be produced depending on your project's demands.



## EXPROOF VENTILATORS

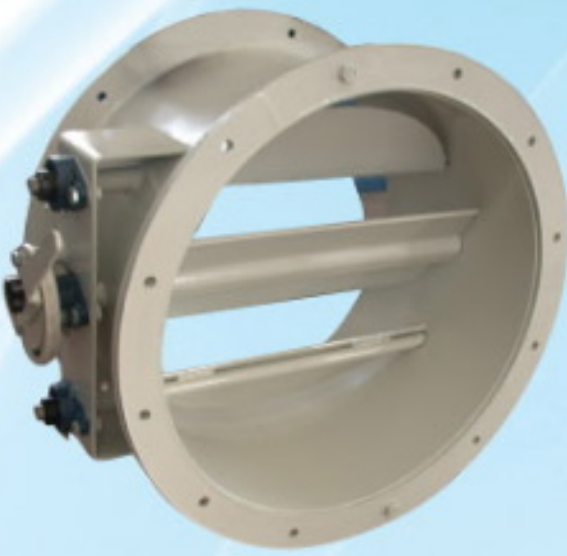
Exproof ventilators (where flammable and explosive materials used) are within our firm's area of specialization. Customized designs can be produced depending on your project's demands.



# ACCESSORIES



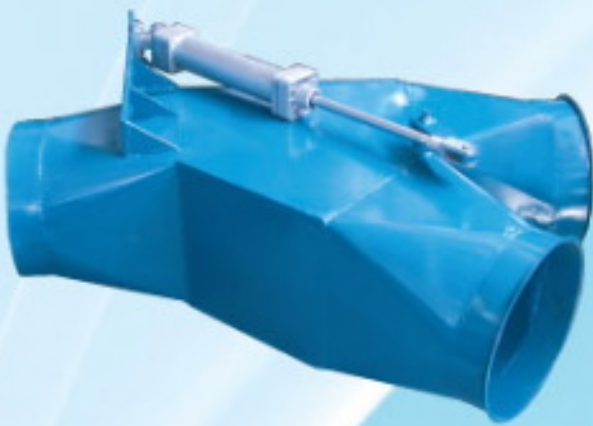
Drallregler



Damper



Silencer



Pneumatic Damper



Pneumatic Sliding Damper



Rotary Valve





## FILTER UNITS

Your dust problems can be solved with our highly efficient and economic filter units. We provide different systems depending on our customers' needs; mechanical shaking filters, jet pulse filters etc. Filtration units are carefully chosen depending on the type of dust and the filter system.



## IMPELLERS

Besides our standard type impellers, special purpose alloy steel, stainless steel, aluminium, plastic etc. impellers are produced upon request. Impellers are statically and dynamically balanced.





**İNCİRCİOĞLU**

VANTİLATÖR, KLİMA İMALAT, TURİZM SAN. VE TİC. LTD. ŞTİ.



Ventilator İmalat Sanayi ve Ticaret Ltd. Şti



H.Office: Çobançeşme Mah. Sanayi Cad. Gençosman  
Sok. No:16 Yenibosna - İstanbul/TÜRKİYE  
Tel. : +90 (212) 551 11 12 Fax: +90 (212) 654 27 76  
Factory: Aşağı Sevindikli Köy Yolu Üzeri Muratlı - Tekirdağ / TÜRKİYE  
Tel. : +90 (282) 373 70 88 Fax: +90 (282) 373 70 87  
e-mail : info@incircioglu.com erisim@incircioglu.com  
www.incircioglu.com / www.incircioglu.com.tr  
www.venttek.com

