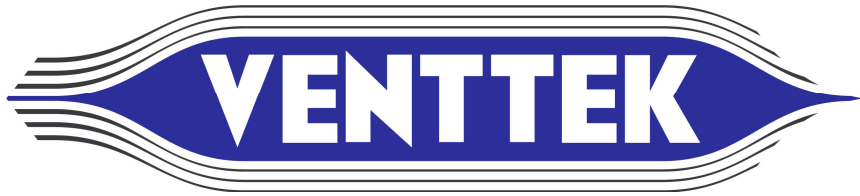


---

# High Efficiency Radial Fans

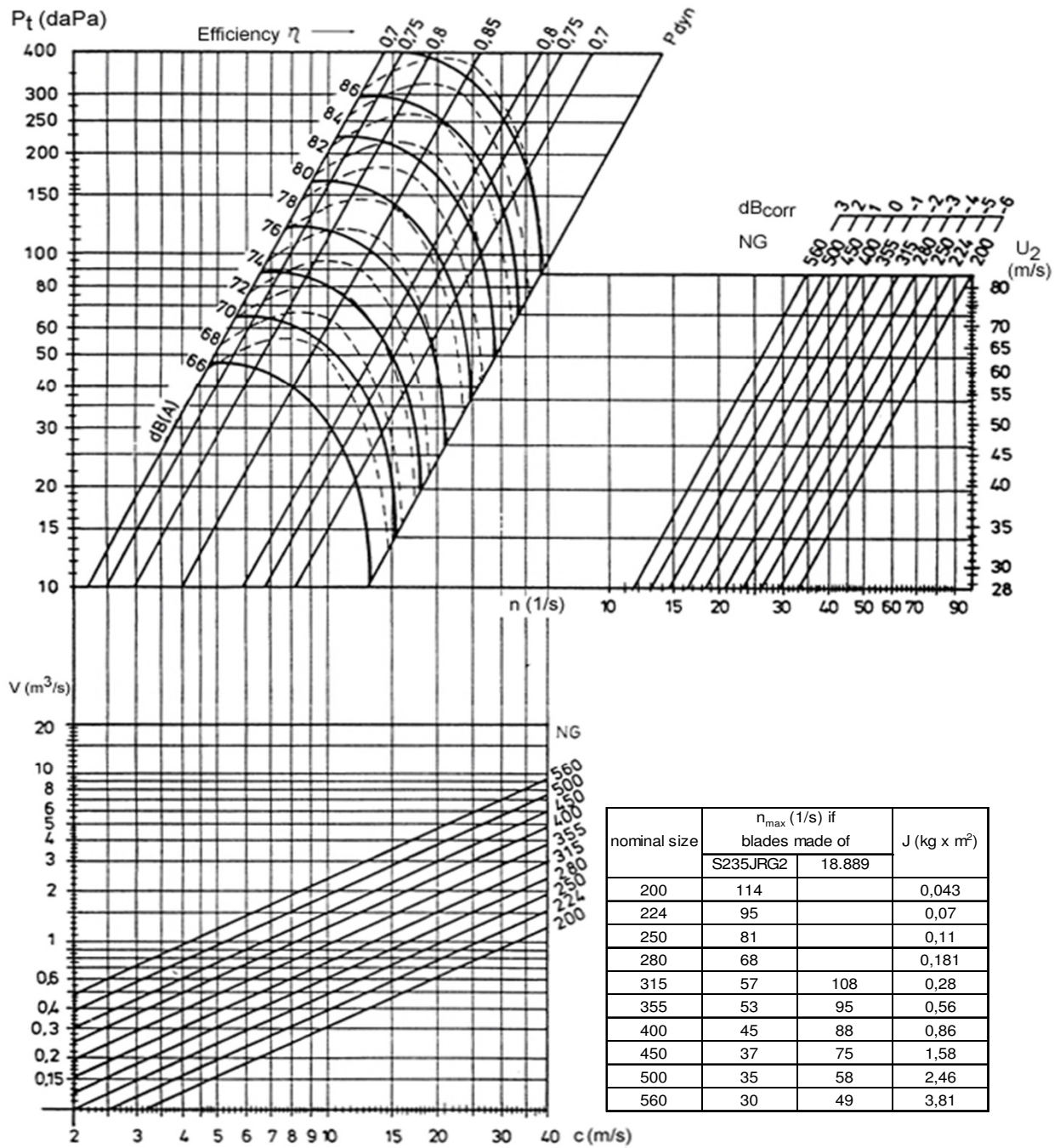
## Series HNN



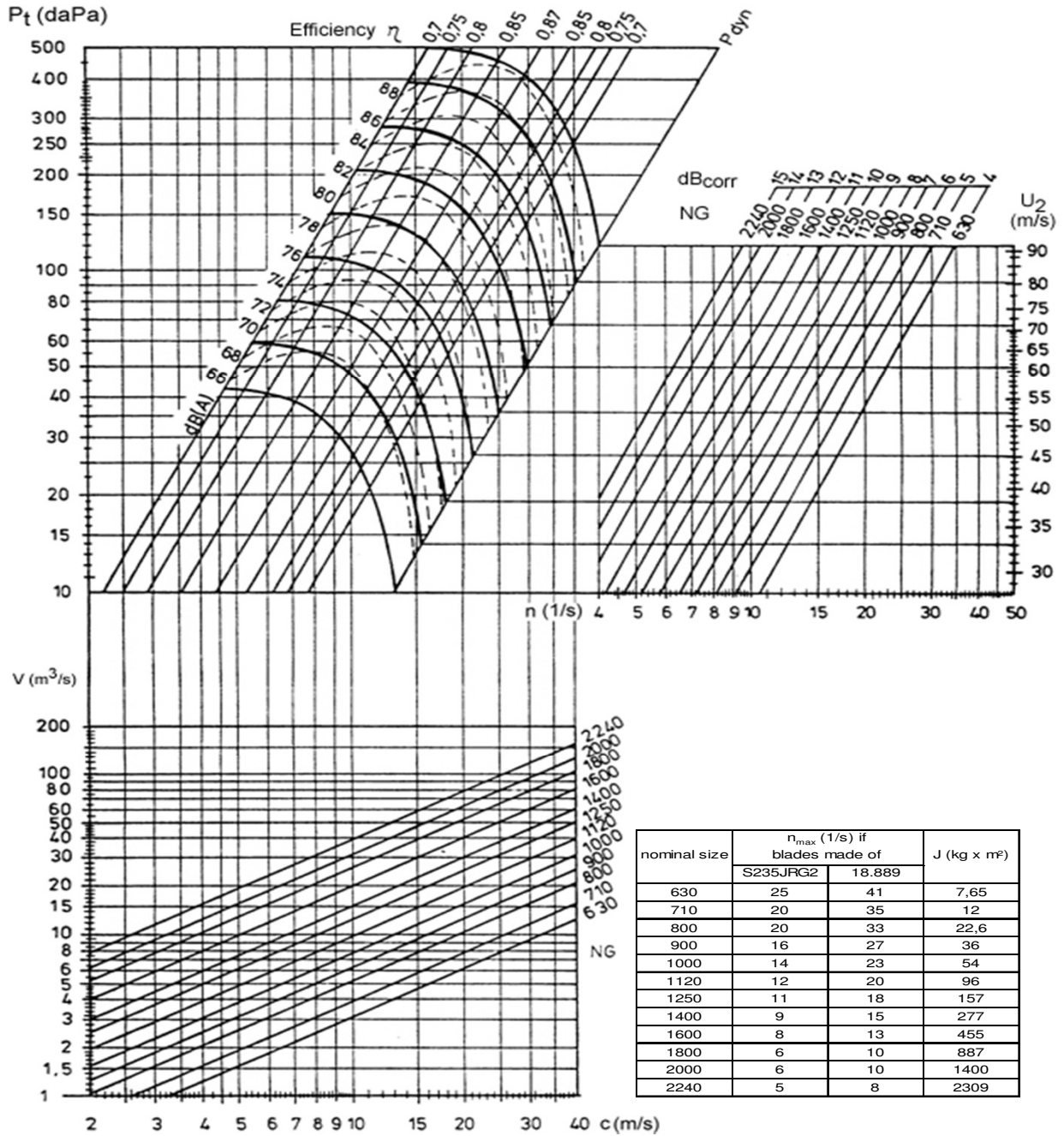
Vantilatör İmalat Sanayi  
ve Ticaret Ltd. Şti.

---

### Series HNN - characteristic curve NS 200 - 560



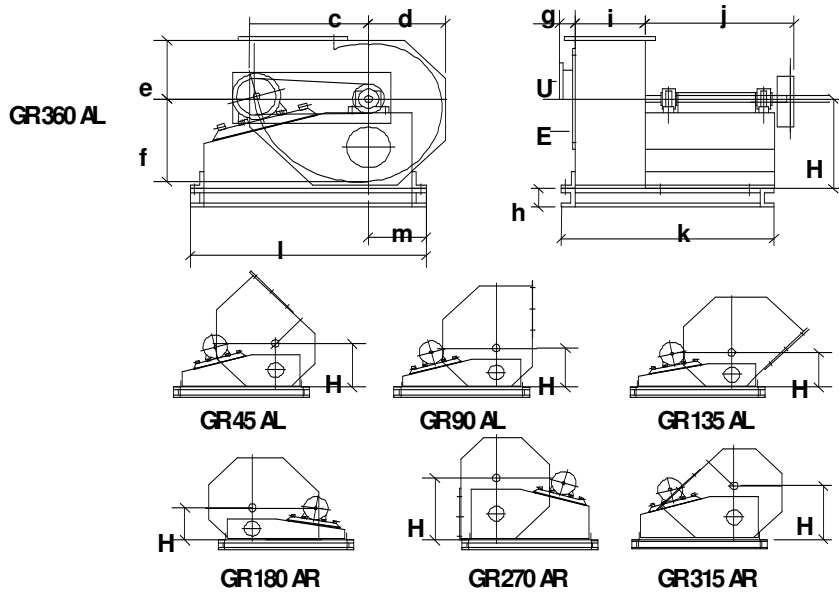
### Series HNN - characteristic curve NS 630 - 2240



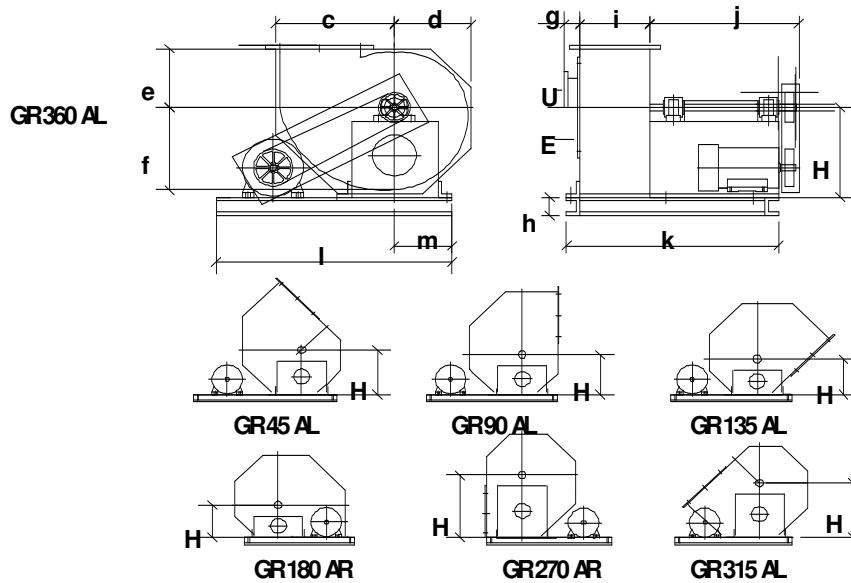
## Spiral housing positions and dimensions



### Outlay Standard 'Rs'

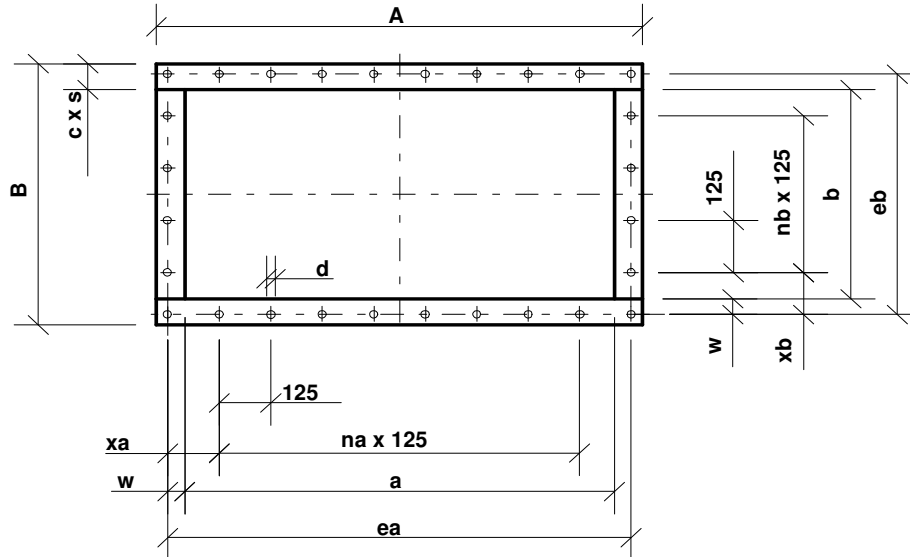


### Outlay standard 'R'



nominal size NS		200	224	250	280	315	355	400	450	500	560	630
height dimension dependent on housing position	45°	250	280	310	345	390	435	490	550	610	680	770
	90°	225	250	280	310	350	390	440	490	545	605	685
	135°	205	225	250	280	315	350	390	435	485	540	615
	180°	210	230	250	270	290	320	360	400	445	495	560
	270°	370	410	455	505	565	625	725	805	890	985	1110
	315°	305	340	380	425	475	530	595	670	740	830	940
	360°	275	305	340	380	430	480	535	605	670	745	845
nominal size Ø		200	224	250	280	315	355	400	450	500	560	630
outlet dimensions	a	226	252	282	317	357	402	452	502	562	632	712
	b	152	162	182	202	226	252	282	317	357	402	452
spiral housing dimensions	c	338	377	421	470	532	593	667	750	832	930	1054
	d	222	247	274	306	346	386	433	485	538	602	682
	e	205	220	240	260	280	312	350	392	434	486	550
	f	270	300	335	375	425	475	530	600	665	740	840
	g	60	60	60	60	60	60	60	60	100	100	100
	h	65	65	65	80	80	80	80	100	100	100	100
	i	150	160	180	200	224	250	280	315	355	400	450
	j	440	440	505	555	555	650	650	730	730	800	800
	k	540	550	620	695	719	835	865	975	1015	1110	1170
	l	675	760	760	725	725	900	900	1170	1170	1260	1260
	m	165	165	165	190	190	230	230	280	280	280	280
max. motor size		100L	112M	112M	132S	132S	160M	160M	180M	180M	180L	180L
j = approximate dimensions, flanges DIN 24154 part2 row2 from NS 1120 on horizontal divided, pressure frame DIN 24193 part3 row3 from NS 1120 on spiral housing and R version												
nominal size NS		710	800	900	1000	1120	1250	1400	1600	1800	2000	2240
height dimension dependent on housing position	45°	860	965	1080	1200	1385	1550	1740	1970	2210	2455	2755
	90°	765	860	965	1075	1255	1390	1560	1770	1985	2200	2470
	135°	685	770	860	955	1110	1240	1390	1575	1775	1965	2210
	180°	625	700	785	870	960	1070	1200	1370	1540	1710	1910
	270°	1235	1380	1545	1720	1920	2135	2380	2720	3045	3380	3770
	315°	1045	1175	1320	1465	1680	1880	2100	2400	2690	2985	3345
	360°	945	1060	1190	1320	1530	1700	1910	2170	2430	2695	3020
nominal size Ø		710	800	900	1000	1120	1250	1400	1600	1800	2000	2240
outlet dimensions	a	802	902	1002	1122	1252	1402	1602	1802	2002	2242	2502
	b	502	562	632	712	802	902	1002	1122	1252	1402	1602
spiral housing dimensions	c	1176	1324	1490	1653	1840	2055	2300	2630	2955	3286	3670
	d	762	856	962	1068	1185	1320	1480	1690	1905	2116	2370
	e	614	690	775	860	950	1060	1190	1360	1530	1700	1900
	f	940	1055	1185	1315	1460	1700	1910	2170	2350	2612	2920
	g	100	100	150	150	150	150	150	150	150	150	150
	h	120	120	120	120	200	200	220	240	240	240	240
	i	500	560	630	710	800	900	1002	1120	1250	1400	1600
	j	960	960	1080	1080	1210	1225	1295	1440	1550	1650	1750
	k	1360	1420	1590	1670	1870	1970	2080	2400	2650	2905	3200
	l	1410	1410	1760	1760	2700	3000	3400	3800	4300	4800	5300
	m	310	310	360	360	850	940	1050	1170	1310	1440	1630
max. motor size		225M	225M	250M	250M	250M	250M	280S	280M	280M	280M	280M

**Sheet with flange dimension for pressure side of HNN fans  
DIN 24193 part 3 Row 3**



Size	edge lenght				ea	eb	xa	xb	num. of divisions		num. of holes		w	d	Profil
	A	B	a	b					na	nb	nea	neb			
180	262	194	202	134	236	168	118	84	1	3	3	17	10	30x6	
200	286	212	226	152	260	186	130	93							
224	312	222	252	162	286	196	143	98							
250	342	242	282	182	316	216	158	108							
280	377	262	317	202	351	236	113	118	3	1	6	30	14	50x6	
315	417	286	357	226	391	260	133	130							
355	462	312	402	252	436	286	155,5	143							
400	552	382	452	282	512	342	68,5	171							
450	602	417	502	317	562	377	93,5	126	5	3	8	30	14	50x6	
500	662	457	562	357	622	417	123,5	146							
560	732	500	632	402	692	462	158,5	168,5							
630	812	552	712	452	772	512	73,5	68,5							
710	902	602	802	502	862	562	118,5	93,5	7	5	10	35	18,5	60x6	
800	1002	662	902	562	962	622	168,5	123,5							
900	1102	732	1002	632	1062	692	93,5	158,5							
1000	1242	832	1122	712	1192	782	158,5	78,5							
1120	1372	922	1252	802	1322	872	98,5	123,5	9	7	12	45	24	80x10	
1250	1522	1022	1402	902	1472	972	173,5	173,5							
1400	1762	1192	1602	1002	1692	1158	158,5	108,5							
1600	1962	1282	1802	1122	1892	1212	133,5	168,5							
1800	2162	1412	2002	1252	2092	1342	108,5	108,5	15	9	18	12			

---

The Venttek-High-Efficiency-Fan Program furthermore contains:

- Industrial fans in radial construction
- Smoke gas fans
- Multiple stage fans
- Pressure and shock resistant fans
- High pressure fans
- Hot gas fans
- Built-in fans without casing
- Portable fans in radial and axial design in explosion proof construction for zone I and II

We would be pleased to give you further information.



Head Office : Çobançeşme Mahallesi, Sanayi Caddesi  
Genç Osman Sokak, No.16  
Yenibosna / İstanbul / Türkiye  
☎ : ( 0212 ) 551 1112  
Fax : ( 0212 ) 654 2776

Factory : Aşağı Sevindikli Köy Yolu Üzeri  
Muratlı / Tekirdağ / Türkiye  
☎ : ( 0282 ) 373 7088  
Fax : ( 0282 ) 373 7087

✉ : [info@incircioglu.com](mailto:info@incircioglu.com)  
[www.venttek.com](http://www.venttek.com)  
[www.incircioglu.com](http://www.incircioglu.com)

