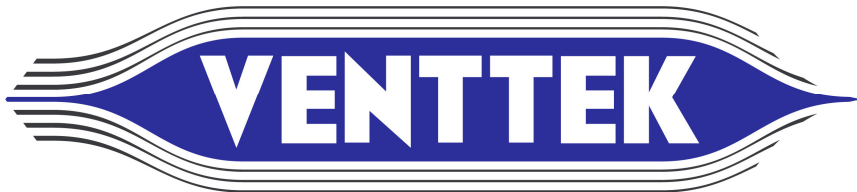
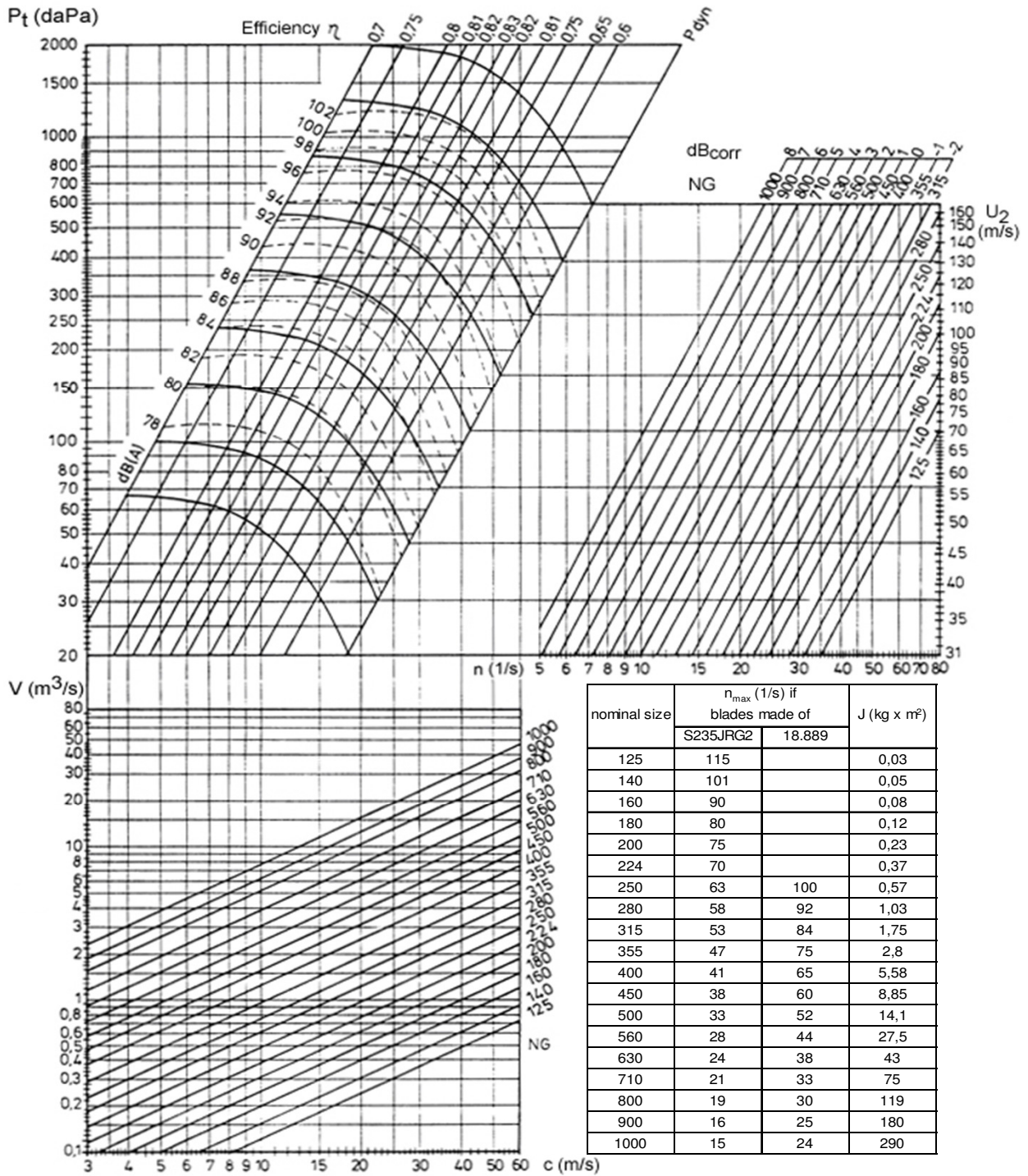

High Efficiency Radial Fans

Series VH1S



Vantilatör İmalat Sanayi
ve Ticaret Ltd. Şti.

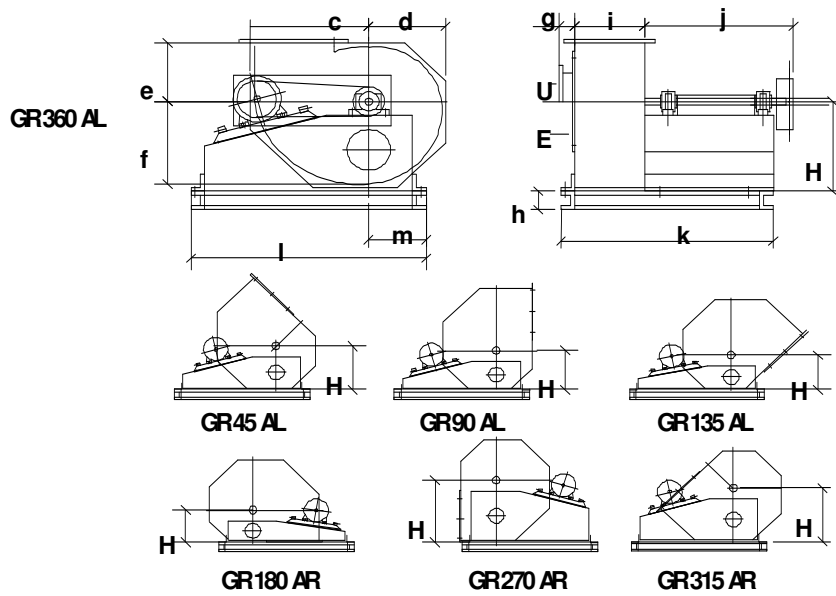
Series VH1S - characteristic curve NS 125 - 1000



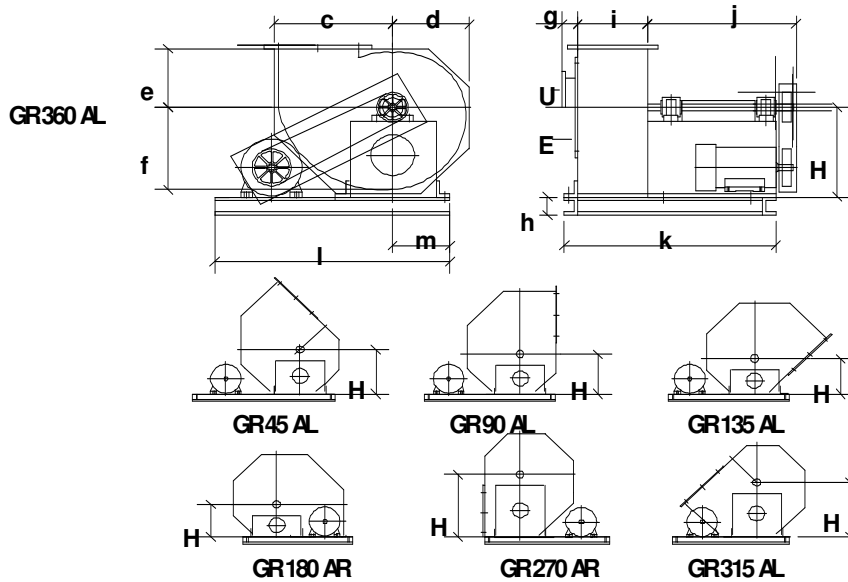
Spiral housing positions and dimensions



Outlay Standard 'R-s'

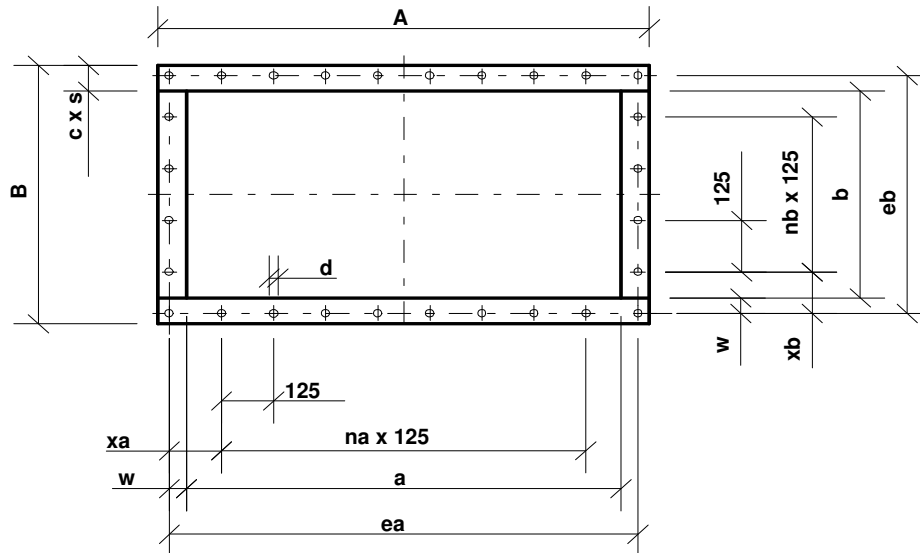


Outlay standard 'R'



nominal size NS		125	140	160	180	200	224	250	280	315	355	400
height dimension dependent on housing position	45°	200	220	255	285	315	350	390	430	485	545	615
	90°	200	210	245	270	300	330	370	410	460	520	585
	135°	180	220	235	260	285	315	350	395	440	495	555
	180°	175	200	230	255	280	310	340	380	425	480	540
	270°	255	285	320	350	385	430	470	525	585	660	745
	315°	220	250	285	315	350	385	430	480	540	605	680
	360°	210	235	270	300	330	370	410	455	510	575	640
nominal size Ø		125	140	160	180	200	224	250	280	315	355	400
outlet dimensions	a	142	162	182	202	226	252	282	317	357	402	452
	b	92	108	120	134	142	162	182	202	226	252	282
spiral housing dimensions	c	222	253	291	325	360	400	445	500	560	630	710
	d	182	205	238	265	295	325	365	405	455	515	580
	e	165	188	220	245	270	300	330	370	415	470	530
	f	197	223	254	284	316	354	395	442	497	561	632
	g	60	60	60	60	60	60	60	60	60	60	60
	h	80	80	80	80	100	100	120	120	160	160	200
	i	90	106	118	132	140	160	180	200	224	250	280
	j	510	510	530	530	560	60	930	1000	1150	1300	1300
	k	530	560	600	600	640	760	1000	1100	1200	1400	1400
	l	800	800	950	950	1000	1000	1200	1500	1550	2300	2300
m	170	170	170	170	190	190	230	280	310	400	400	
max. motor size		90S	90L	100L	100L	112M	132M	160L	200L	225M	280S	280M
j = approximate dimensions, from NS 355 on R - version, flanges DIN 24154 part2 row2												
from NS 800 on horizontal divided, pressure frame DIN 24193 part3 row3												
nominal size NS		450	500	560	630	710	800	900	1000			
height dimension dependent on housing position	45°	690	765	855	965	1085	1225	1370	1525			
	90°	565	725	815	915	1035	1165	1305	1445			
	135°	625	695	785	875	985	1105	1245	1385			
	180°	605	670	750	840	950	1070	1200	1330			
	270°	830	915	1020	1140	1285	1440	1610	1800			
	315°	760	845	955	1075	1205	1355	1525	1685			
	360°	725	805	905	1015	1145	1285	1445	1605			
nominal size Ø		450	500	560	630	710	800	900	1000			
outlet dimensions	a	502	562	632	712	802	902	1002	1122			
	b	317	357	402	452	502	562	632	712			
spiral housing dimensions	c	795	880	1000	1120	1260	1420	1590	1760			
	d	650	720	810	910	1030	1160	1300	1440			
	e	595	660	740	830	940	1060	1190	1320			
	f	711	790	884	994	1122	1264	1422	1580			
	g	60	100	100	100	100	100	100	150			
	h	200	200	200	240	240	240	240	300			
	i	315	355	400	450	500	560	630	710			
	j	1460	1460	1480	1630	1680	1770	2080	2200			
	k	1600	1600	1700	1900	2000	2150	2500	2700			
	l	2700	2700	2700	2700	2800	2900	2900	3000			
m	500	500	500	500	550	550	600	600				
max. motor size		315S	315M	315M	315L	355M	355L	400M	450S			

Sheet with flange dimension for pressure side of VH1S fans DIN 24193 part 3 Row 3



Size	edge length								num. of divisions		num. of holes		w	d	Profil
	A	B	a	b	ea	eb	xa	xb	na	nb	nea	neb			
125	202	152	142	92	176	126	88								
140	222	168	162	108	196	142	98				2				
160	242	180	182	120	216	154	108	77							
180	262	194	202	134	236	168	118	84			3				
200	286	202	226	142	260	176	130	88					17	10	30x6
224	312	222	252	162	286	196	143	98							
250	342	242	282	182	316	216	158	108				3			
280	377	262	317	202	351	236	113	118							
315	417	286	357	226	391	260	133	130	1		4				
355	462	312	402	252	436	286	155,5	143							
400	562	382	452	282	512	342	68,5	158							
450	602	417	502	317	562	377	93,5	113							
500	662	457	562	357	622	417	123,5	133	3	1	6	4			
560	732	502	632	402	692	462	158,5	155,5							
630	812	552	712	452	772	512	73,5	68,5					30	14	50x6
710	902	602	802	502	862	562	118,5	93,5	5		8				
800	1002	662	902	562	962	622	168,5	123,5		3		6			
900	1102	732	1002	632	1062	692	93,5	158,5							
1000	1242	832	1122	712	1192	782	158,5	73,5	7	5	10	8	35	18,5	60x6

The Venttek-High-Efficiency-Fan Program furthermore contains:

- Industrial fans in radial construction
- Smoke gas fans
- Multiple stage fans
- Pressure and shock resistant fans
- High pressure fans
- Hot gas fans
- Built-in fans without casing
- Portable fans in radial and axial design in explosion proof construction for zone I and II

We would be pleased to give you further information.



Head Office : Çobançeşme Mahallesi, Sanayi Caddesi
Genç Osman Sokak, No.16
Yenibosna / İstanbul / Türkiye
☎ : (0212) 551 1112
Fax : (0212) 654 2776

Factory : Aşağı Sevindikli Köy Yolu Üzeri
Muratlı / Tekirdağ / Türkiye
☎ : (0282) 373 7088
Fax : (0282) 373 7087

✉ : info@incircioglu.com
www.venttek.com
www.incircioglu.com

