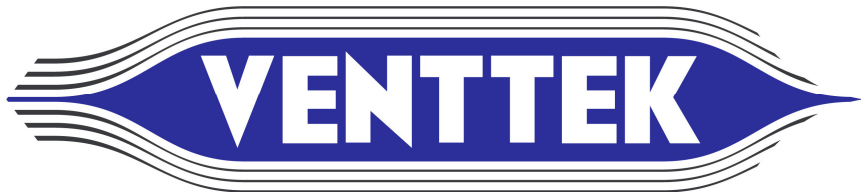
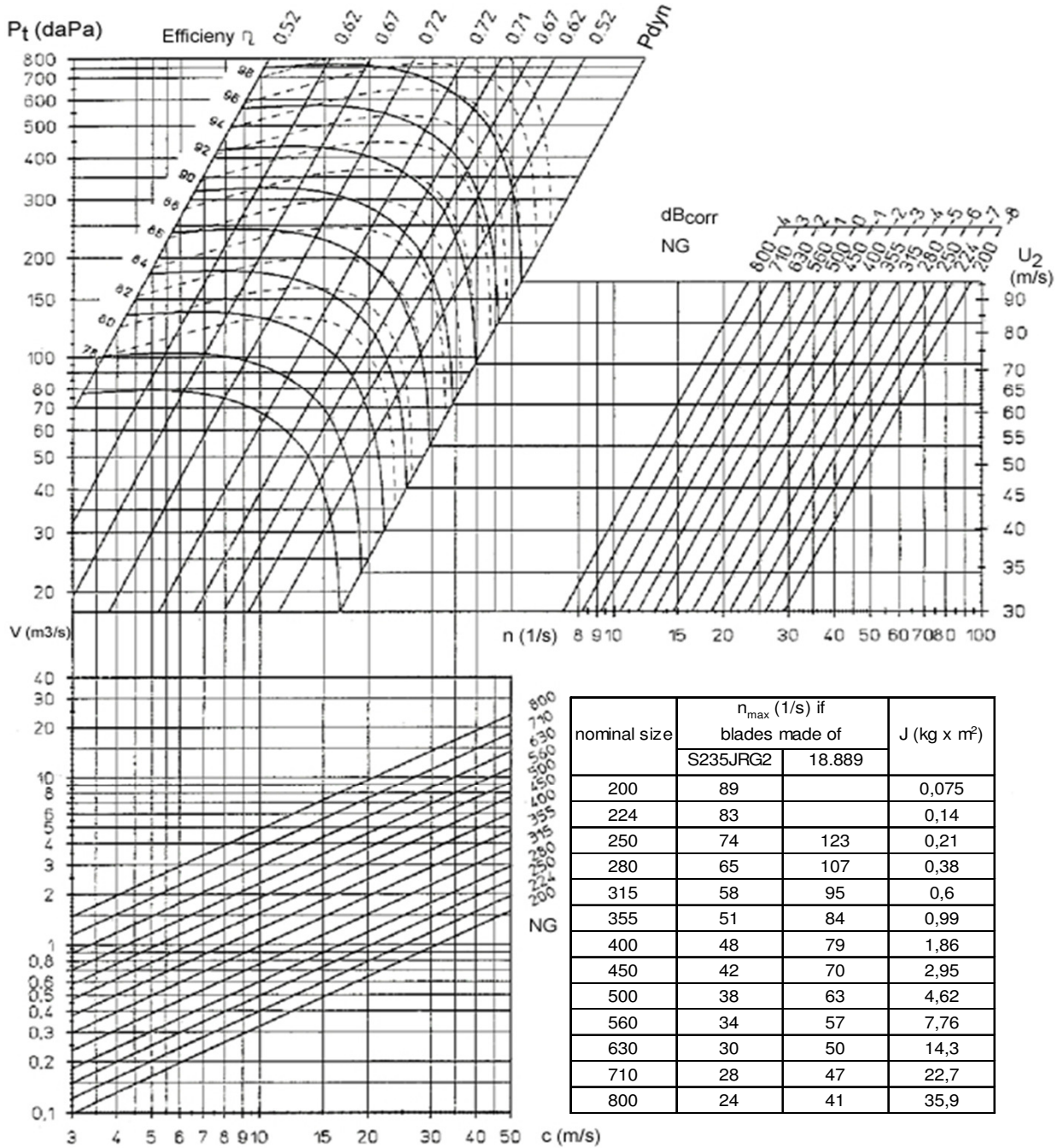

High Efficiency Radial Fans

Series VM1F



Vantilatör İmalat Sanayi
ve Ticaret Ltd. Şti.

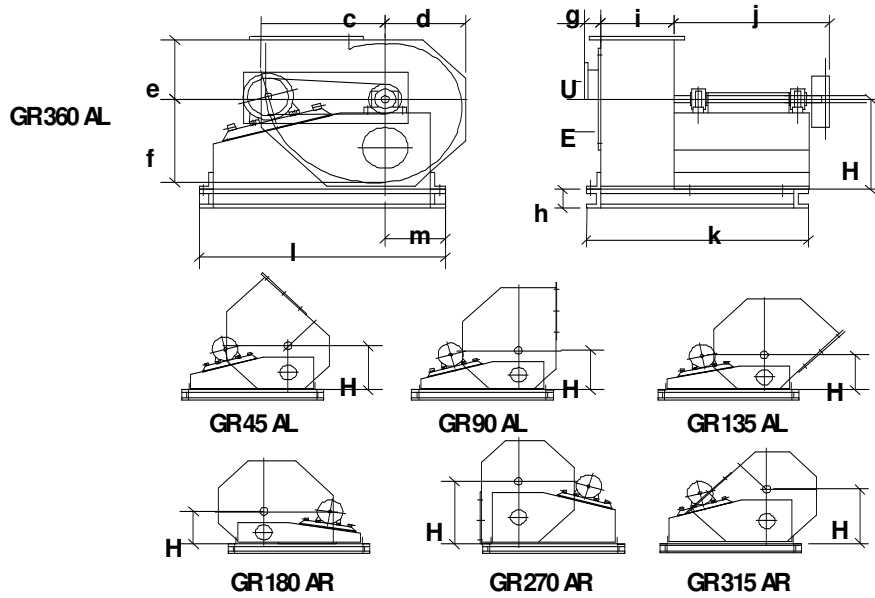
Series VM1F - characteristic curve NS 200 - 800



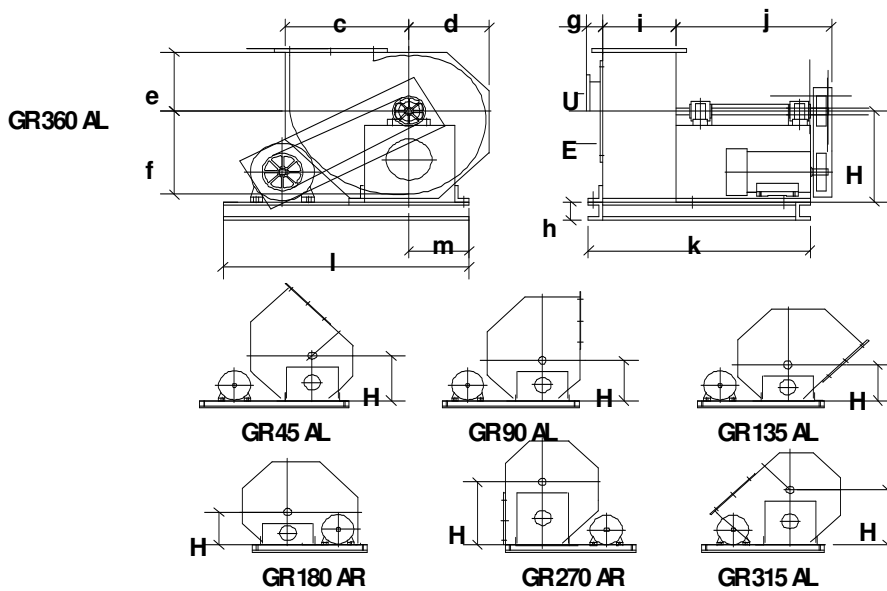
Spiral housing positions and dimensions



Outlay Standard 'R-s'

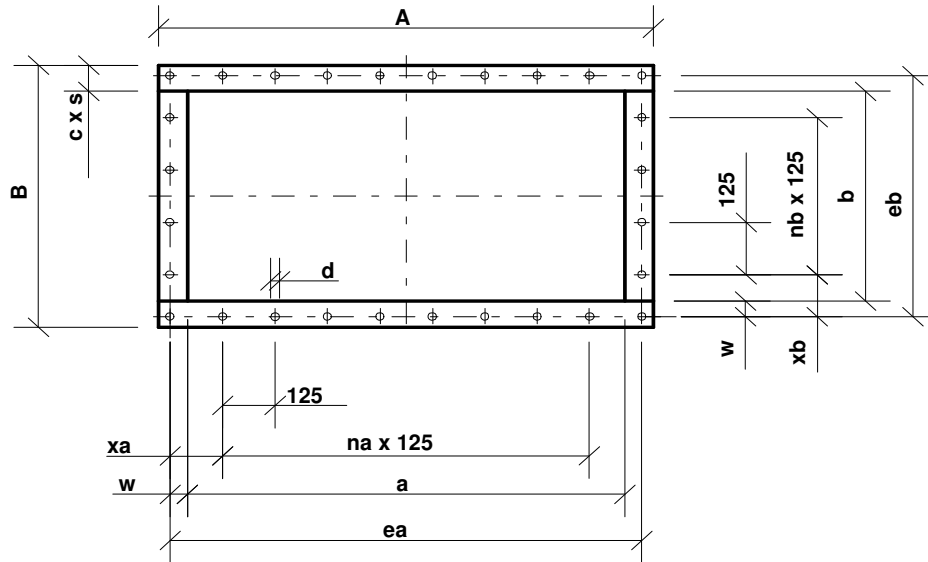


Outlay standard 'R'



nominal size NS	200	224	250	280	315	355	400	450	500	560	630	
height dimension dependent on housing position	45°	310	345	390	435	490	550	610	680	770	860	965
	90°	280	310	350	390	440	490	545	605	685	765	860
	135°	250	280	315	350	390	435	485	540	615	685	770
	180°	250	270	290	320	360	400	445	495	560	625	700
	270°	455	505	565	625	725	805	890	985	1110	1235	1380
	315°	380	425	475	530	595	670	740	830	940	1045	1175
	360°	340	380	430	480	535	605	670	745	845	945	1060
nominal size Ø	200	224	250	280	315	355	400	450	500	560	630	
outlet dimensions	a	282	317	357	402	452	502	562	632	712	802	902
	b	120	134	152	162	182	202	226	252	282	317	357
spiral housing dimensions	c	421	470	532	593	667	750	832	930	1054	1176	1324
	d	274	306	346	386	433	485	538	602	682	762	856
	e	240	260	280	312	350	392	434	486	550	614	690
	f	335	375	425	475	530	600	665	740	840	940	1055
	g	60	60	60	60	60	60	100	100	100	100	100
	h	65	80	80	80	80	100	100	100	100	120	120
	i	118	132	150	160	180	200	224	250	280	315	355
	j	640	690	820	850	910	980	1050	1150	1200	1250	1400
	k	660	700	860	880	980	1060	1100	1200	1280	1420	1550
	l	900	900	1100	1160	1250	1430	1470	1440	1640	2100	2100
	m	165	190	190	230	230	280	280	280	280	310	310
max. motor size	132S	132M	160M	160L	180L	200L	225S	225M	250M	280S	280M	
j = approximate dimensions, from NS 560 on R - version, flanges DIN 24154 part2 row2 from NS 900 on horizontal divided, pressure frame DIN 24193 part3 row3 from NS 900 on spiral housing												
nominal size NS	710	800										
height dimension dependent on housing position	45°	1080	1200									
	90°	965	1075									
	135°	860	955									
	180°	785	870									
	270°	1545	1720									
	315°	1320	1465									
	360°	1190	1320									
nominal size Ø	710	800										
outlet dimensions	a	1002	1122									
	b	402	452									
spiral housing dimensions	c	1490	1653									
	d	962	1068									
	e	775	860									
	f	1185	1315									
	g	100	150									
	h	120	120									
	i	400	450									
	j	1580	1750									
	k	1750	1900									
	l	2400	2400									
	m	360	360									
max. motor size	315S	315M										

**Sheet with flange dimension for pressure side of VM1F fans
DIN 24293 part 3 Row 3**



Size	edge lenght								num. of divisions		num. of holes		Profil		
	A	B	a	b	ea	eb	xa	xb	na	nb	nea	neb	w	d	cxs*
180	312	174	252	114	286	148	143	74			3	2	17	10	30x6
200	342	180	282	120	316	154	158	77			4	3			
224	377	194	317	134	351	168	113	84	1		4	3	30	14	50x6
250	417	202	357	152	391	186	133	93							
280	462	222	402	162	436	196	155,5	98	3		6	3	30	14	50x6
315	552	282	452	182	512	242	68,5	121							
355	602	302	502	202	562	262	93,5	131	5		8	4	30	14	50x6
400	662	326	562	226	622	286	123,5	143							
450	732	352	632	252	692	312	158,5	156	7		10	4	30	14	50x6
500	812	382	712	282	772	342	73,5	108,5							
560	902	417	802	317	862	377	118,5	126	7		10	4	30	14	50x6
630	1002	457	902	357	962	417	168,5	146							
710	1102	502	1002	402	1062	462	93,5	168,5	7		10	4	30	14	50x6
800	1242	572	1122	452	1192	522	158,5	73,5							

The Venttek-High-Efficiency-Fan Program furthermore contains:

- Industrial fans in radial construction
- Smoke gas fans
- Multiple stage fans
- Pressure and shock resistant fans
- High pressure fans
- Hot gas fans
- Built-in fans without casing
- Portable fans in radial and axial design in explosion proof construction for zone I and II

We would be pleased to give you further information.



Head Office : Çobançeşme Mahallesi, Sanayi Caddesi
Genç Osman Sokak, No.16
Yenibosna / İstanbul / Türkiye
☎ : (0212) 551 1112
Fax : (0212) 654 2776

Factory : Aşağı Sevindikli Köy Yolu Üzeri
Muratlı / Tekirdağ / Türkiye
☎ : (0282) 373 7088
Fax : (0282) 373 7087

✉ : info@incircioglu.com
www.venttek.com
www.incircioglu.com

