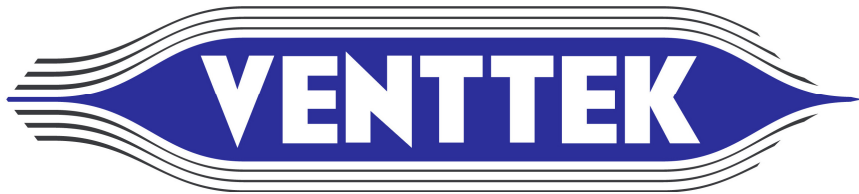


---

# High Efficiency Radial Fans

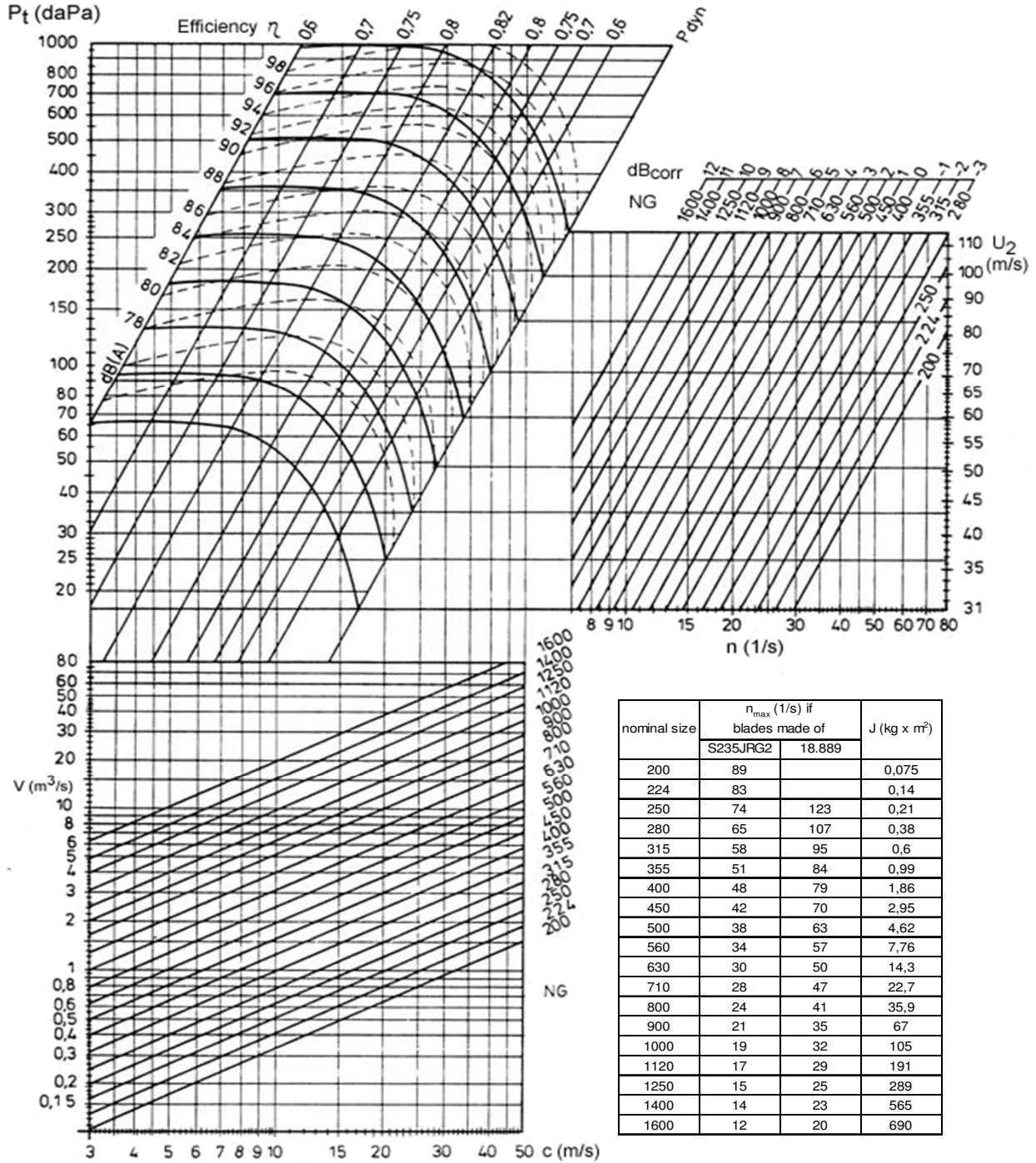
## Series VM1S



Vantilatör İmalat Sanayi  
ve Ticaret Ltd. Şti.

---

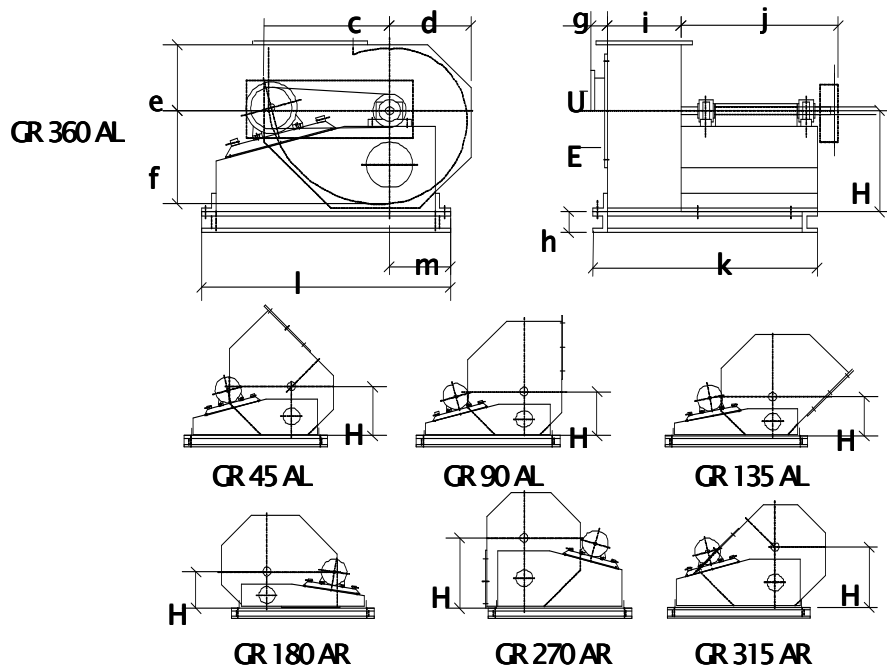
### Series VM1S - characteristic curve NS 200 - 1600



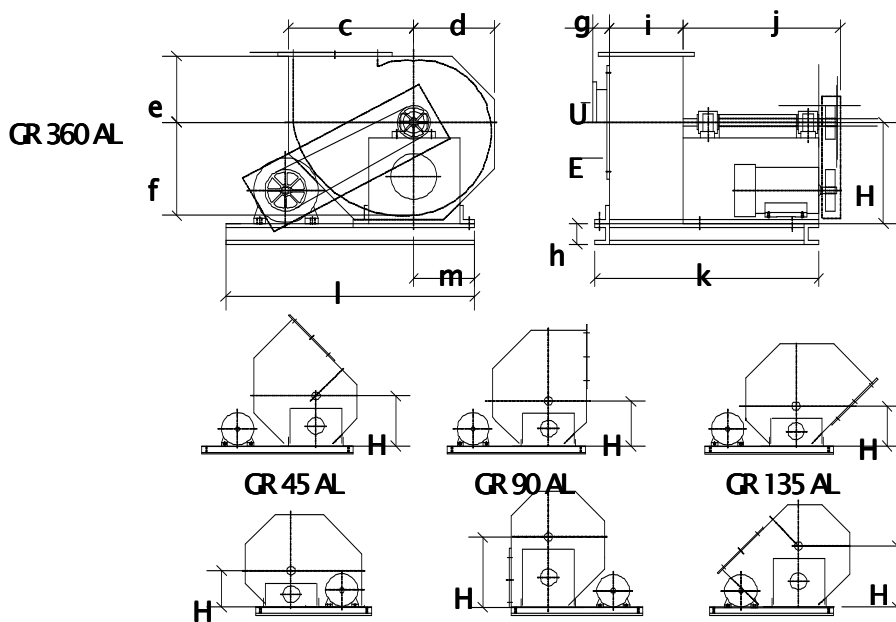
## Spiral housing positions and dimensions



### Outlay Standard "R-s"

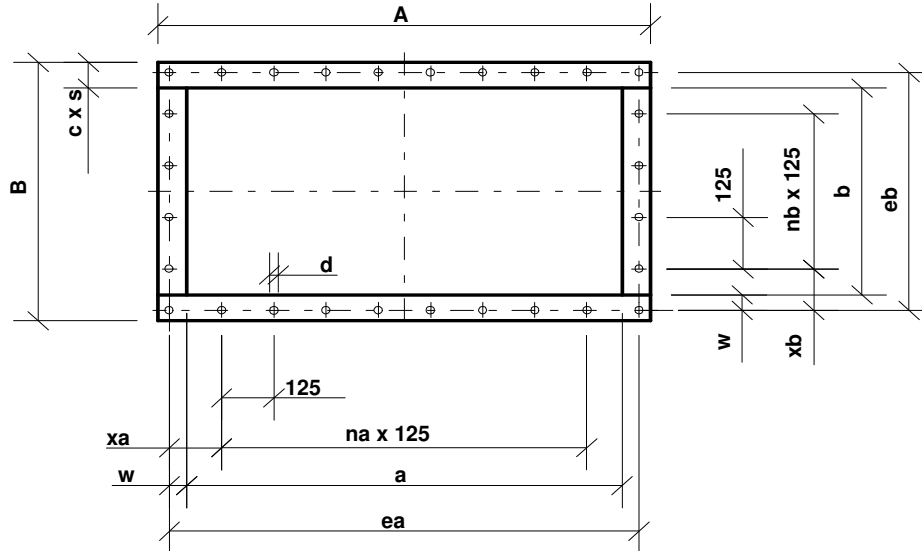


### Outlay standard "R"



nominal size NS		200	224	250	280	315	355	400	450	500	560	630
height dimension dependent on housing position	45°	310	345	390	435	490	550	610	680	770	860	965
	90°	280	310	350	390	440	490	545	605	685	765	860
	135°	250	280	315	350	390	435	485	540	615	685	770
	180°	250	270	290	320	360	400	445	495	560	625	700
	270°	455	505	565	625	725	805	890	985	1110	1235	1380
	315°	380	425	475	530	595	670	740	830	940	1045	1175
	360°	340	380	430	480	535	605	670	745	845	945	1060
nominal size Ø		200	224	250	280	315	355	400	450	500	560	630
outlet dimensions	a	282	317	357	402	452	502	562	632	712	802	902
	b	120	134	152	162	182	202	226	252	282	317	357
spiral housing dimensions	c	421	470	532	593	667	750	832	930	1054	1176	1324
	d	274	306	346	386	433	485	538	602	682	762	856
	e	240	260	280	312	350	392	434	486	550	614	690
	f	335	375	425	475	530	600	665	740	840	940	1055
	g	60	60	60	60	60	60	100	100	100	100	100
	h	65	80	80	80	80	100	100	100	100	120	120
	i	118	132	150	160	180	200	224	250	280	315	355
	j	640	690	820	850	910	980	1050	1150	1200	1250	1400
	k	660	700	860	880	980	1060	1100	1200	1280	1420	1550
	l	900	900	1100	1160	1250	1430	1470	1440	1640	2100	2100
	m	165	190	190	230	230	280	280	280	280	310	310
max. motor size		132S	132M	160M	160L	180L	200L	225S	225M	250M	280S	280M
j = approximate dimensions, from NS 560 on R - version, flanges DIN 24154 part2 row2 from NS 900 on horizontal divided, pressure frame DIN 24193 part3 row3 from NS 900 on spiral housing												
nominal size NS		710	800	900	1000	1120	1250	1400	1600			
height dimension dependent on housing position	45°	1080	1200	1385	1550	1740	1970	2210	2455			
	90°	965	1075	1255	1390	1560	1770	1985	2200			
	135°	860	955	1110	1240	1390	1575	1775	1965			
	180°	785	870	960	1070	1200	1370	1540	1710			
	270°	1545	1720	1920	2135	2380	2720	3045	3380			
	315°	1320	1465	1680	1880	2100	2400	2690	2985			
	360°	1190	1320	1530	1700	1910	2170	2430	2695			
nominal size Ø		710	800	900	1000	1120	1250	1400	1600			
outlet dimensions	a	1002	1122	1252	1402	1602	1802	2002	2242			
	b	402	452	502	562	632	712	802	902			
spiral housing dimensions	c	1490	1653	1840	2055	2300	2630	2955	3286			
	d	962	1068	1185	1320	1480	1690	1905	2116			
	e	775	860	950	1060	1190	1360	1530	1700			
	f	1185	1315	1530	1700	1830	2090	2350	2612			
	g	100	150	150	150	150	150	150	150			
	h	120	120	160	160	200	200	200	200			
	i	400	450	500	560	630	712	800	900			
	j	1580	1750	1900	2100	2100	2100	2100	2150			
	k	1750	1900	2000	2200	2400	2500	2600	2700			
	l	2400	2400	3000	3300	3500	3650	2820	4100			
	m	360	360	850	940	1050	1170	1310	1440			
max. motor size		315S	315M	315L	355L	355L	355L	355L	355L			

## Sheet with flange dimension for pressure side of VM1S fans DIN 24193 part 3 Row 3



Size	edge lenght				ea	eb	xa	xb	num. of divisions		num. of holes		w	d	Profil
	A	B	a	b					na	nb	nea	neb			
180	312	174	252	114	286	148	143	74			3	2	17	10	30x6
200	342	180	282	120	316	154	158	77			4	4			
224	377	194	317	134	351	168	113	84	1		3		30	14	50x6
250	417	202	357	152	391	186	133	93							
280	462	222	402	162	436	196	155,5	98	3		8	4	35	18,5	60x6
315	552	282	452	182	512	242	68,5	121							
355	602	302	502	202	562	262	93,5	131	5	1	12	6	45	24	80x10
400	662	326	562	226	622	286	123,5	143							
450	732	352	632	252	692	312	158,5	156	7		16	8	50		90x10
500	812	382	712	282	772	342	73,5	108,5							
560	902	417	802	317	862	377	118,5	126	9	3	20	8	50		90x10
630	1002	457	902	357	962	417	168,5	146							
710	1102	502	1002	402	1062	462	93,5	168,5	11		18	8	50		90x10
800	1242	572	1122	452	1192	522	158,5	73,5							
900	1372	622	1252	502	1322	572	98,5	98,5	13	5	20	8	50		90x10
1000	1522	682	1402	562	1472	632	173,5	128,5							
1120	1762	792	1602	632	1692	722	158,5	173,5	15		20	8	50		90x10
1250	1962	872	1802	712	1892	802	133,5	88,5							
1400	2162	962	2002	802	2092	892	108,5	133,5	17		20	8	50		90x10
1600	2422	1082	2242	902	2322	1002	108,5	188,5							

---

The Venttek-High-Efficiency-Fan Program furthermore contains:

- Industrial fans in radial construction
- Smoke gas fans
- Multiple stage fans
- Pressure and shock resistant fans
- High pressure fans
- Hot gas fans
- Built-in fans without casing
- Portable fans in radial and axial design in explosion proof construction for zone I and II

We would be pleased to give you further information.



Head Office : Çobançeşme Mahallesi, Sanayi Caddesi  
Genç Osman Sokak, No.16  
Yenibosna / İstanbul / Türkiye  
☎ : ( 0212 ) 551 1112  
Fax : ( 0212 ) 654 2776

Factory : Aşağı Sevindikli Köy Yolu Üzeri  
Muratlı / Tekirdağ / Türkiye  
☎ : ( 0282 ) 373 7088  
Fax : ( 0282 ) 373 7087

✉ : [info@incircioglu.com](mailto:info@incircioglu.com)  
[www.venttek.com](http://www.venttek.com)  
[www.incircioglu.com](http://www.incircioglu.com)

