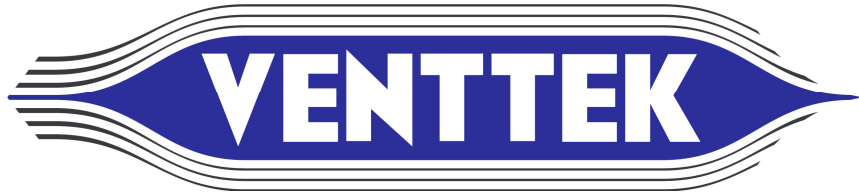
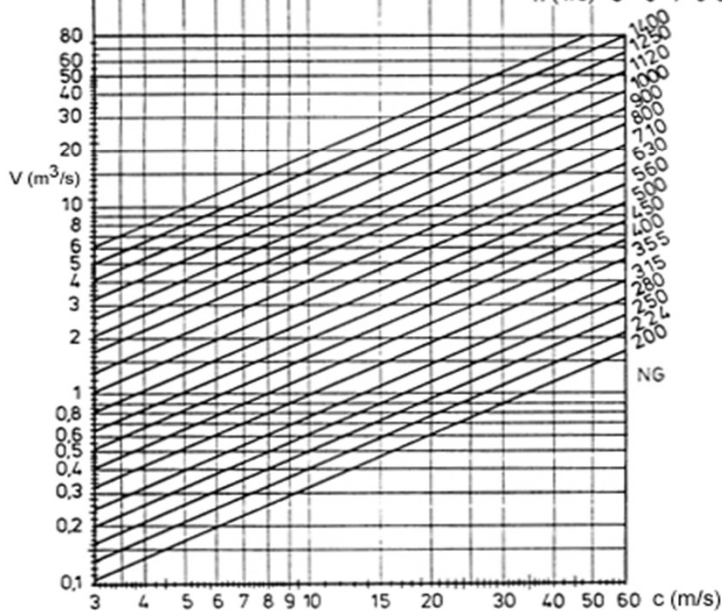
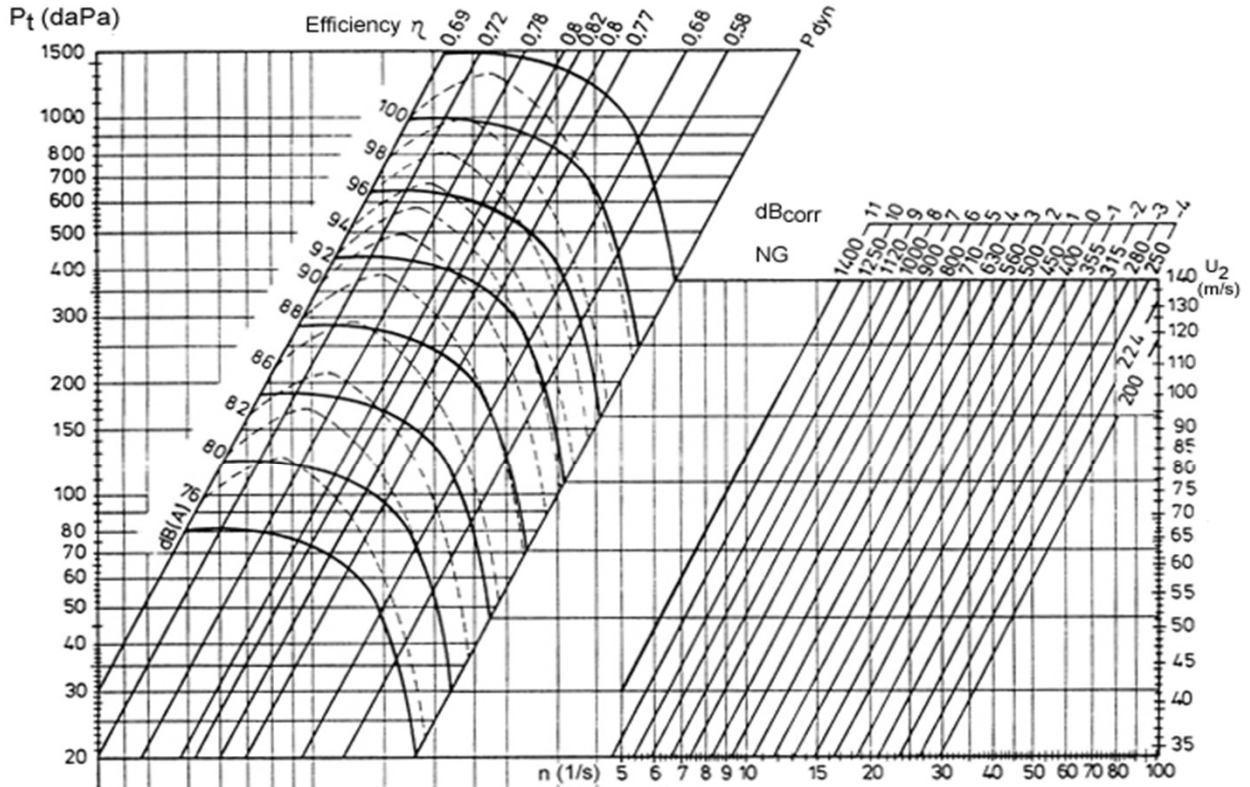

High Efficiency Radial Fans

Series VM2S



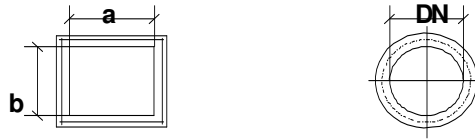
Vantilatör İmalat Sanayi
ve Ticaret Ltd. Şti.

Series VM2S - characteristic curve NS 200 - 1400

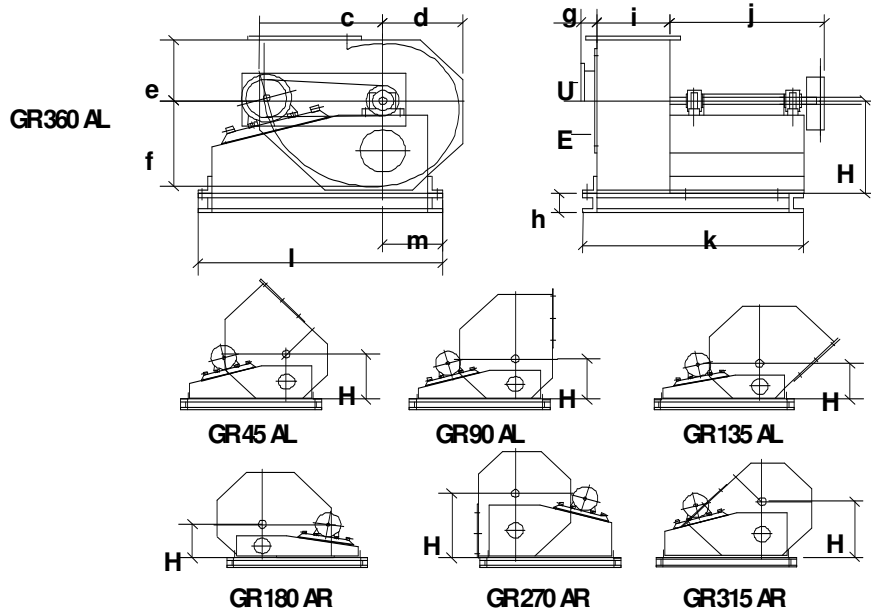


nominal size	n_{max} (1/s) if blades made of		J (kg x m ²)
	S235JRG2	18.889	
200	89		0,075
224	83		0,14
250	74	123	0,21
280	65	107	0,38
315	58	95	0,6
355	51	84	0,99
400	48	79	1,86
450	42	70	2,95
500	38	63	4,62
560	34	57	7,76
630	30	50	14,3
710	28	47	22,7
800	24	41	35,9
900	21	35	67
1000	19	32	105
1120	17	29	191
1250	15	25	289
1400	14	23	565

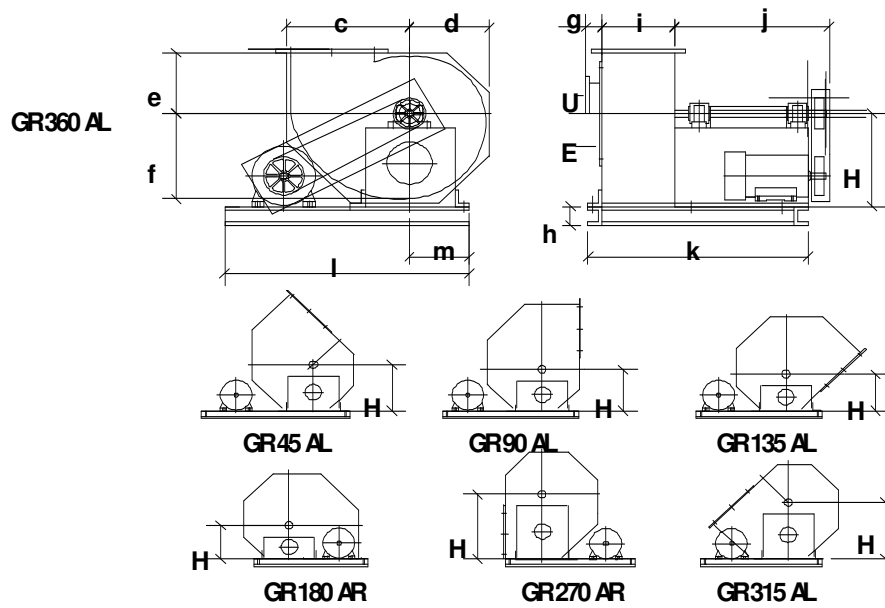
Spiral housing positions and dimensions



Outlay Standard 'R-s'

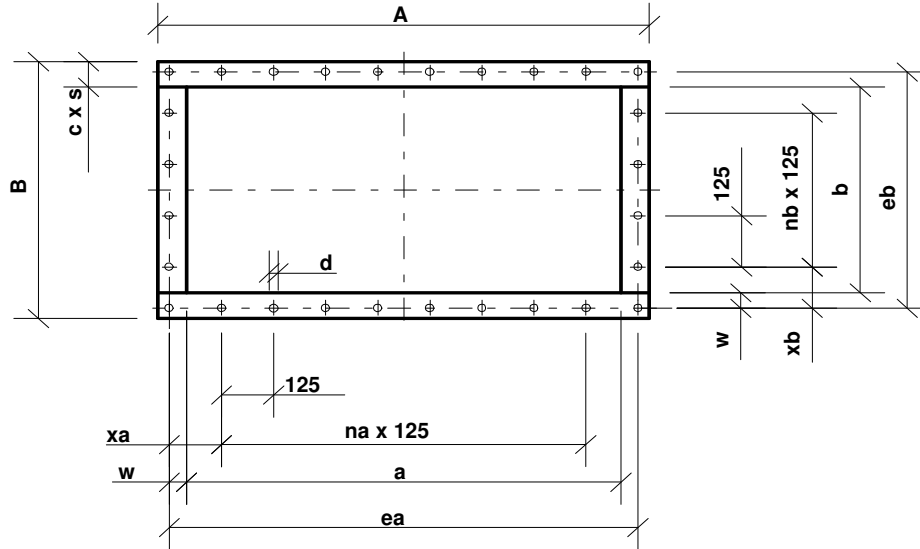


Outlay standard 'R'



nominal size NS	200	224	250	280	315	355	400	450	500	560	630	
height dimension dependent on housing position	45°	345	390	435	490	550	610	680	770	860	965	1080
	90°	310	350	390	440	490	545	605	685	765	860	965
	135°	280	315	350	390	435	485	540	615	685	770	860
	180°	270	290	320	360	400	445	495	560	625	700	785
	270°	505	565	625	725	805	890	985	1110	1235	1380	1545
	315°	425	475	530	595	670	740	830	940	1045	1175	1320
	360°	380	430	480	535	605	670	745	845	945	1060	1190
nominal size Ø	200	224	250	280	315	355	400	450	500	560	630	
outlet dimensions	a	317	357	402	452	502	562	632	712	802	902	1002
	b	120	134	152	182	182	202	226	252	282	317	357
spiral housing dimensions	c	470	532	593	667	750	832	930	1054	1176	1324	1490
	d	306	346	386	433	485	538	602	682	762	856	962
	e	260	280	312	350	392	434	486	550	614	690	775
	f	375	425	475	530	600	665	740	840	940	1055	1185
	g	60	60	60	60	60	60	100	100	100	100	100
	h	80	80	80	80	100	100	100	100	120	120	120
	i	118	132	150	160	180	200	224	250	280	315	355
	j	640	690	820	850	910	980	1150	1150	1220	1320	1400
	k	660	700	860	880	980	1060	1100	1200	1300	1420	1550
	l	900	900	1150	1150	1250	1400	1440	1440	1720	2000	2100
	m	190	190	230	230	280	280	280	280	310	310	360
max. motor size	132S	132M	160M	160L	180L	200L	225S	225M	250M	280S	280M	
j = approximate dimensions, from NS 560 on R - version, flanges DIN 24154 part2 row2												
from NS 800 on horizontal divided, pressure frame DIN 24193 part3 row3												
nominal size NS	710	800	900	1000	1120	1250	1400	1600				
height dimension dependent on housing position	45°	1200	1385	1550	1740	1970	2210	2455	2755			
	90°	1075	1255	1390	1560	1770	1985	2200	2470			
	135°	955	1110	1240	1390	1575	1775	1965	2210			
	180°	870	960	1070	1200	1370	1540	1710	1910			
	270°	1720	1920	2135	2380	2720	3045	3380	3770			
	315°	1465	1680	1880	2100	2400	2690	2985	3345			
	360°	1320	1530	1700	1910	2170	2430	2695	3020			
nominal size Ø	710	800	900	1000	1120	1250	1400	1600				
outlet dimensions	a	1122	1252	1402	1602	1802	2002	2242	2502			
	b	402	452	502	562	632	712	802	902			
spiral housing dimensions	c	1653	1840	2055	2300	2630	2955	3286	3670			
	d	1068	1185	1320	1480	1690	1905	2116	2370			
	e	860	950	1060	1190	1360	1530	1700	1900			
	f	1315	1460	1635	1830	2090	2350	2612	2920			
	g	150	150	150	150	150	150	150	150			
	h	120	160	160	200	200	200	240	240			
	i	400	450	500	560	630	710	800	900			
	j	1580	1750	1800	1900	2100	2100	2100	2150			
	k	1750	1950	2100	2200	2400	2500	2600	2750			
	l	2100	2700	2900	3100	3400	3650	3800	4100			
	m	360	850	940	1050	1170	1310	1440	1630			
max. motor size	315S	315M	315L	315L	355L	355L	355L	355L				

Sheet with flange dimension for pressure side of VM2S fans DIN 24193 part 3 Row 3



Size	edge lenght								num. of divisions		num. of holes		Profil		
	A	B	a	b	ea	eb	xa	xb	na	nb	nea	neb	w	d	cx s*
200	377	180	317	120	351	154	113	77	1		4		17	10	30x6
224	417	194	357	134	391	168	133	84							
250	462	202	402	152	436	186	155,5	93							
280	552	222	452	162	512	222	68,5	111	3		6	3	30	14	50x6
315	602	282	502	182	562	242	93,5	121							
355	662	302	562	202	622	262	123,5	131							
400	732	326	632	226	692	286	158,5	143	5		8		30	14	50x6
450	812	352	712	252	772	312	73,5	156							
500	902	382	802	282	862	342	118,5	171							
560	1002	417	902	317	962	377	168,5	126	7	1	10	4	35	18,5	60x6
630	1102	457	1002	357	1062	417	93,5	146							
710	1242	502	1122	402	1192	472	158,5	173,5							
800	1372	572	1252	452	1322	522	98,5	73,5	9		12	6	35	18,5	60x6
900	1522	622	1402	502	1472	572	173,5	98,5							
1000	1762	682	1602	562	1692	652	158,5	138,5							
1120	1962	792	1802	632	1892	722	133,5	173,5	3		16	6	45	24	80x10
1250	2162	872	2002	712	2092	802	108,5	88,5							
1400	2422	962	2242	802	2342	902	108,5	138,5							
1600	2702	1082	2502	902	2612	1002	118,5	193,5	5		22	8	55	24	90x10

The Venttek-High-Efficiency-Fan Program furthermore contains:

- Industrial fans in radial construction
- Smoke gas fans
- Multiple stage fans
- Pressure and shock resistant fans
- High pressure fans
- Hot gas fans
- Built-in fans without casing
- Portable fans in radial and axial design in explosion proof construction for zone I and II

We would be pleased to give you further information.



Head Office : Çobançeşme Mahallesi, Sanayi Caddesi
Genç Osman Sokak, No.16
Yenibosna / İstanbul / Türkiye
☎ : (0212) 551 1112
Fax : (0212) 654 2776

Factory : Aşağı Sevindikli Köy Yolu Üzeri
Muratlı / Tekirdağ / Türkiye
☎ : (0282) 373 7088
Fax : (0282) 373 7087

✉ : info@incircioglu.com
www.venttek.com
www.incircioglu.com

