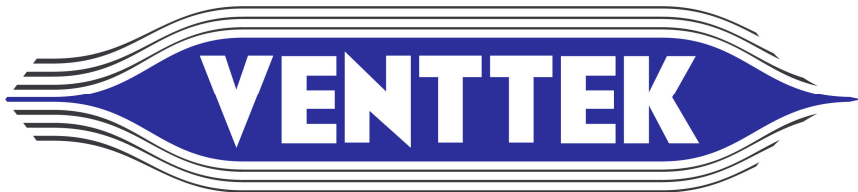
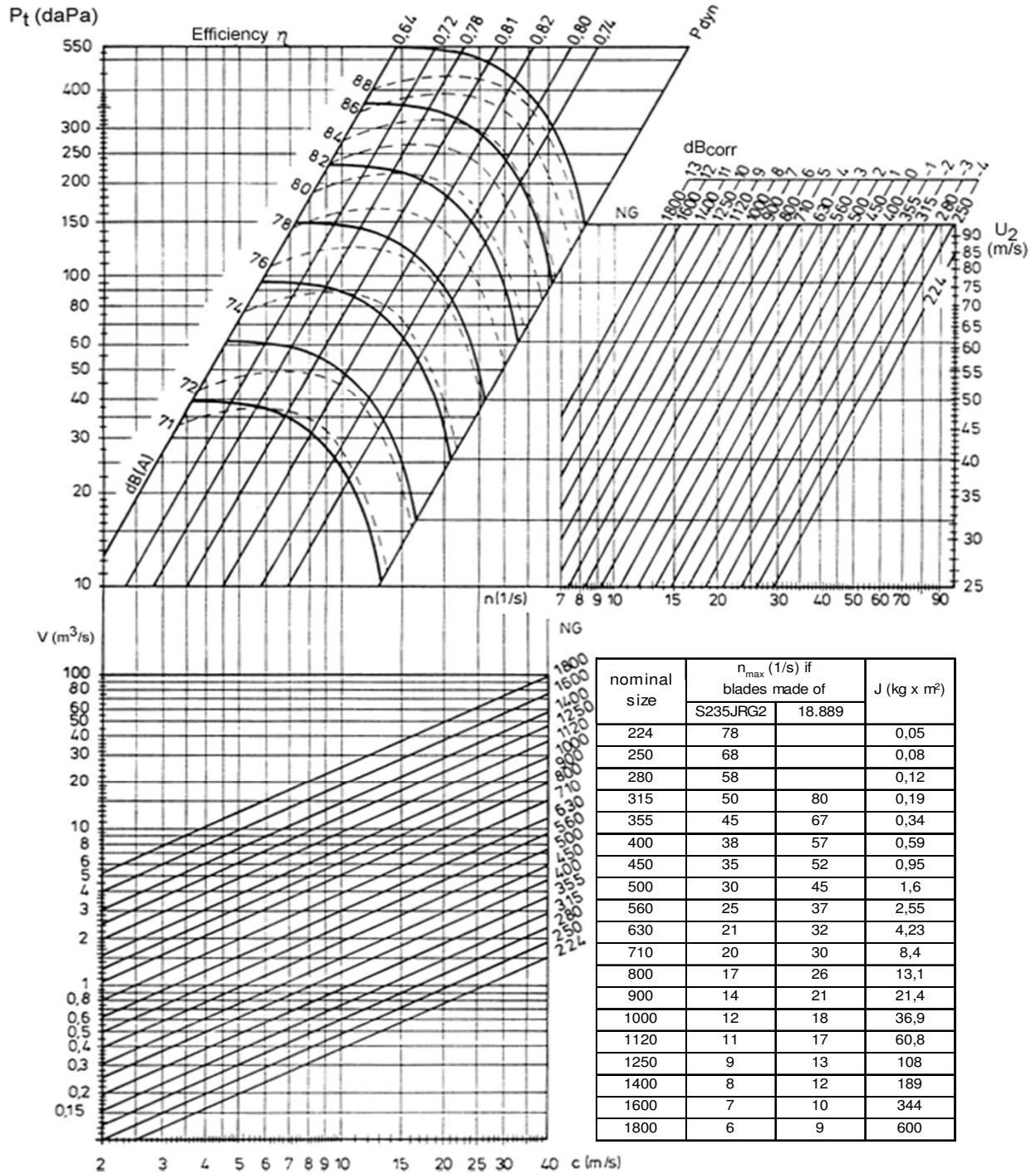

High Efficiency Radial Fans

Series VN1S



Vantilatör İmalat Sanayi
ve Ticaret Ltd. Şti.

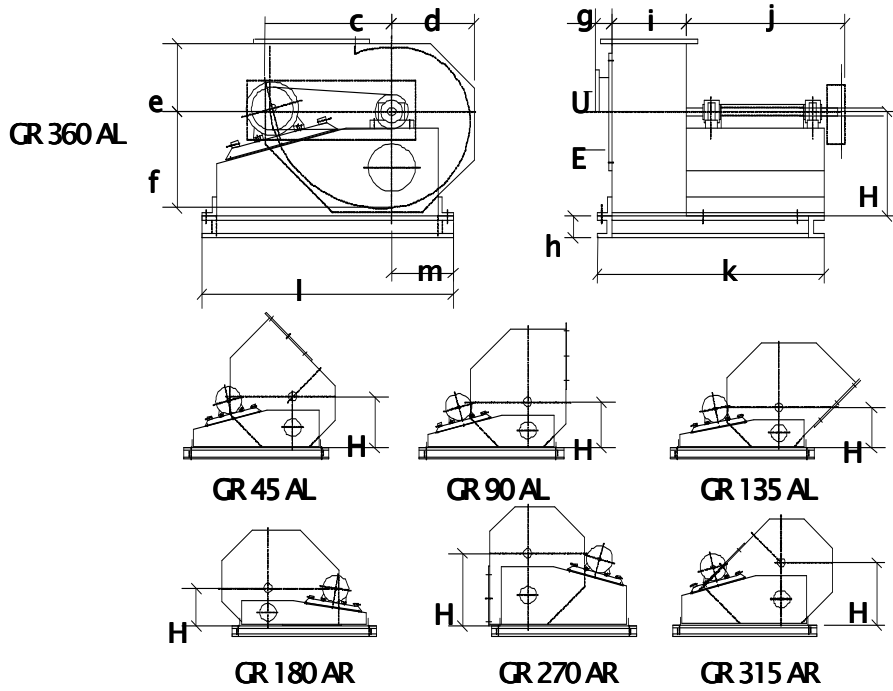
Series VN1S - characteristic curve NS 224 - 1800



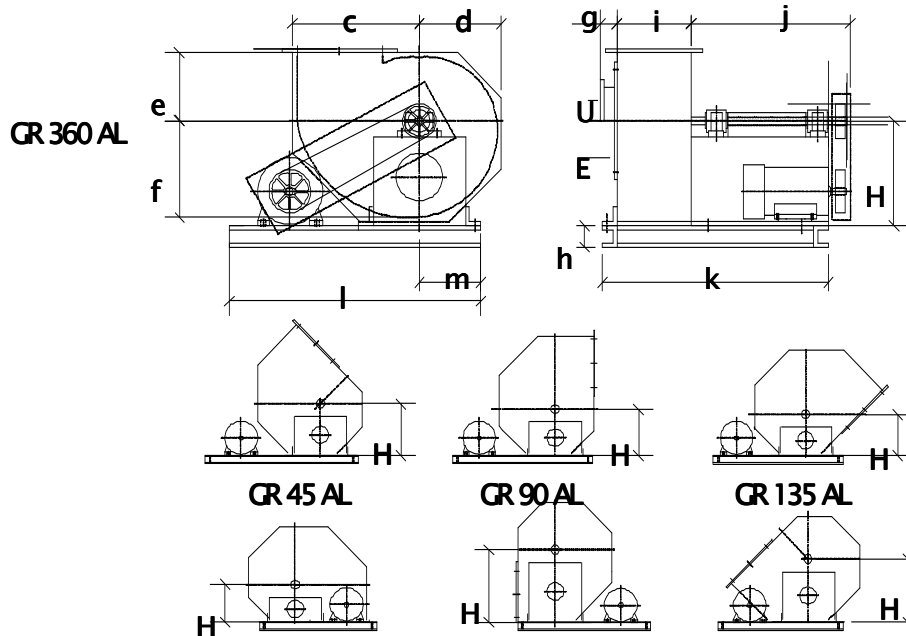
Spiral housing positions and dimensions



Outlay Standard "R-s"

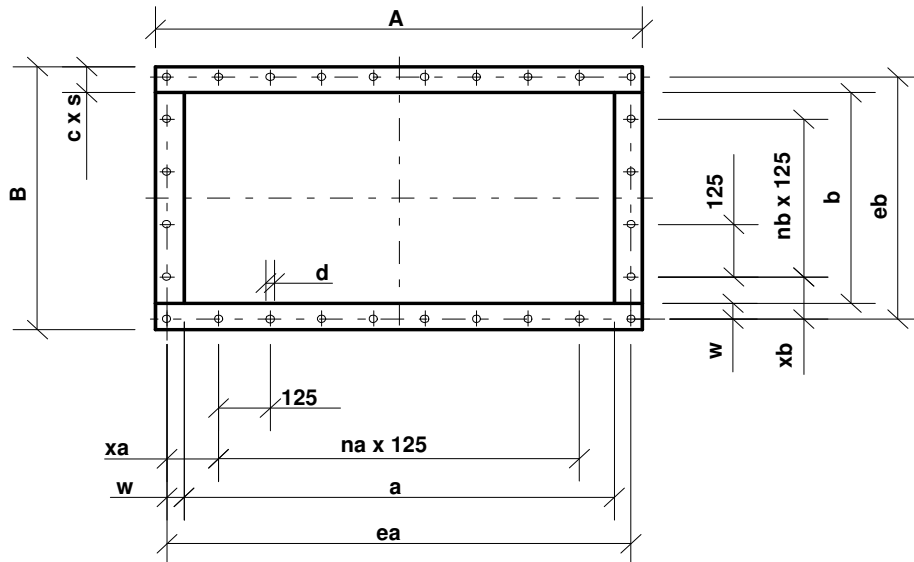


Outlay standard "R"



nominal size NS		224	250	280	315	355	400	450	500	560	630	710
height dimension dependent on housing position	45°	250	280	310	345	390	435	490	550	610	680	770
	90°	225	250	280	310	350	390	440	490	545	605	685
	135°	205	225	250	280	315	350	390	435	485	540	615
	180°	210	230	250	270	290	320	360	400	445	495	560
	270°	370	410	455	505	565	625	725	805	890	985	1110
	315°	305	340	380	425	475	530	595	670	740	830	940
	360°	275	305	340	380	430	480	535	605	670	745	845
nominal size Ø		224	250	280	315	355	400	450	500	560	630	710
outlet dimensions	a	226	252	282	317	357	402	452	502	562	632	712
	b	182	202	226	252	282	317	357	402	452	502	562
spiral housing dimensions	c	338	377	421	470	532	593	667	750	832	930	1054
	d	222	247	274	306	346	386	433	485	538	602	682
	e	205	220	240	260	280	312	350	392	434	486	550
	f	270	300	335	375	425	475	530	600	665	740	840
	g	60	60	60	60	60	60	60	60	100	100	100
	h	65	65	65	80	80	80	80	100	100	100	100
	i	180	200	224	250	280	315	355	400	450	500	560
	j	440	440	505	555	555	650	650	730	730	800	800
	k	570	590	664	745	775	900	940	1060	1110	1210	1270
	l	675	760	760	725	725	900	900	1170	1170	1260	1260
	m	165	165	165	190	190	230	230	280	280	280	280
max. motor size		100L	112M	112M	132S	132S	160M	160M	180M	180M	180L	180L
j = approximate dimensions, from NS 1250 on "R" - version, flanges DIN 24154 part2 row2 from NS 1250 on horizontal divided, pressure frame DIN 24193 part3 row3 from NS 1250 on spiral housing												
nominal size NS		800	900	1000	1120	1250	1400	1600	1800	2000	2240	2500
height dimension dependent on housing position	45°	860	965	1080	1200	1385	1550	1740	1970	2210	2455	2755
	90°	765	860	965	1075	1255	1390	1560	1770	1985	2200	2470
	135°	685	770	860	955	1110	1240	1390	1575	1775	1965	2210
	180°	625	700	785	870	960	1070	1200	1370	1540	1710	1910
	270°	1235	1380	1545	1720	1920	2135	2380	2720	3045	3380	3770
	315°	1045	1175	1320	1465	1680	1880	2100	2400	2690	2985	3345
	360°	945	1060	1190	1320	1530	1700	1910	2170	2430	2695	3020
nominal size Ø		800	900	1000	1120	1250	1400	1600	1800	2000	2240	2500
outlet dimensions	a	802	902	1002	1122	1252	1402	1602	1802	2002	2242	2502
	b	632	712	802	902	1002	1122	1252	1402	1602	1802	2002
spiral housing dimensions	c	1176	1324	1490	1653	1840	2055	2300	2630	2955	3286	3670
	d	762	856	962	1068	1185	1320	1480	1690	1905	2116	2370
	e	614	690	775	860	950	1060	1190	1360	1530	1700	1900
	f	940	1055	1185	1315	1460	1700	1910	2170	2350	2612	2920
	g	100	100	150	150	150	150	150	150	150	150	150
	h	120	120	120	120	200	200	220	240	240	240	240
	i	630	710	800	900	1000	1120	1250	1400	1600	1800	2000
	j	960	960	1080	1080	1210	1225	1295	1440	1550	1650	1750
	k	1490	1570	1760	1850	2070	2200	2420	2650	2905	3200	3400
	l	1410	1410	1760	1760	2700	3000	3400	3800	4300	4800	5300
	m	310	310	360	360	850	940	1050	1170	1310	1440	1630
max. motor size		225M	225M	250M	250M	250M	250M	250M	280M	280M	280M	315S

Sheet with flange dimension for pressure side of VN1S fans DIN 24193 part 3 Row 3



Size	edge lenght								num. of divisions		num. of holes		w		d	cxs*	Profil
	A	B	a	b	ea	eb	xa	xb	na	nb	nea	neb	w	d			
200	262	222	202	162	236	196	118	98	1	3	3	3	17	10	30x6		
224	286	242	226	182	260	216	130	108									
250	312	262	252	202	286	236	143	118									
280	342	286	282	226	316	260	158	130									
315	377	312	317	252	351	286	113	143									
355	417	342	357	282	391	316	133	158									
400	462	377	402	317	436	351	155,5	113	3	1	6	4	30	14	50x6		
450	552	457	452	357	512	417	68,5	146									
500	602	502	502	402	562	462	93,5	168,5									
560	662	552	562	452	622	512	123,5	68,5									
630	732	602	632	502	692	562	158,5	93,5									
710	812	662	712	562	772	622	73,5	123,5									
800	902	732	802	632	862	692	118,5	158,5	5	3	8	6	35	18,5	60x6		
900	1002	812	902	712	962	772	168,5	73,5									
1000	1102	902	1002	802	1062	862	93,5	118,5									
1120	1242	1022	1122	902	1192	972	158,5	138,5									
1250	1372	1122	1252	1002	1322	1072	98,5	98,5									
1400	1522	1242	1402	1122	1472	1192	173,5	158,5									
1600	1762	1412	1602	1252	1692	1342	158,5	108,5	7	5	10	8	45	24	80x10		
1800	1962	1562	1802	1402	1892	1492	133,5	183,5									
2000	2162	1762	2002	1602	2092	1692	108,5	158,5									
2240	2422	1982	2242	1802	2342	1902	108,5	138,5									
2500	2702	2202	2502	2002	2612	2112	118,5	108,5									

The Venttek-High-Efficiency-Fan Program furthermore contains:

- Industrial fans in radial construction
- Smoke gas fans
- Multiple stage fans
- Pressure and shock resistant fans
- High pressure fans
- Hot gas fans
- Built-in fans without casing
- Portable fans in radial and axial design in explosion proof construction for zone I and II

We would be pleased to give you further information.



Head Office : Çobançeşme Mahallesi, Sanayi Caddesi
Genç Osman Sokak, No.16
Yenibosna / İstanbul / Türkiye
☎ : (0212) 551 1112
Fax : (0212) 654 2776

Factory : Aşağı Sevindikli Köy Yolu Üzeri
Muratlı / Tekirdağ / Türkiye
☎ : (0282) 373 7088
Fax : (0282) 373 7087

✉ : info@incircioglu.com
www.venttek.com
www.incircioglu.com

