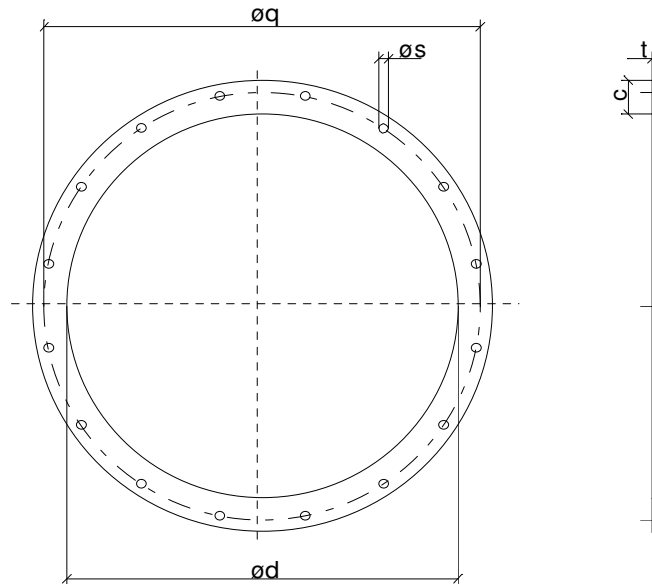


Flanges for axial fans



nominal size	outside $\varnothing O$	inside $\varnothing d$		breadth x thickness c x t	hole circle \varnothing q + 0,5	hole- \varnothing s + 0,5	number of holes	screws
			maximum deviation					
315	402	322	1,5 0	40 x 6	366	12	8	M10
355	442	362			405			
400	488	408			448		12	
450	538	458			497			
500	588	508			551			
560	668	568	2 0	50 x 6	629	14	16	M12
630	738	638			698			
710	818	718			775			
800	908	808		60 x 6	861		24	
900	1028	908			958			
1000	1128	1008	1067					
1120	1250	1130	60 x 8	1200	18	32	M16	
1250	1387	1267		1337				
1400	1541	1421		1491				
1600	1713	1593		1663		40		
1800	1905	1785		1856				
2000	2123	2003		2073				
2240	2404	2244		80 x 8				2334

All information in mm.